
2 Parts and diagrams

- [Order parts by authorized service providers](#)
- [How to use the parts lists and diagrams](#)
- [Document feeder and scanner assemblies](#)
- [Document feeder assemblies](#)
- [Scan control board \(SCB\)](#)
- [Covers](#)
- [Right door](#)
- [Control panels](#)
- [Internal assemblies](#)
- [1x500-sheet paper feeder](#)
- [1x500-sheet paper feeder with cabinet](#)
- [2,500-sheet paper feeder HCI](#)
- [Stapling mailbox](#)
- [Alphabetical parts list](#)
- [Numerical parts list](#)

Order parts by authorized service providers

Order parts, accessories, and supplies

Table 2-1 Order parts, accessories, and supplies

Order supplies and paper	www.hp.com/go/suresupply
Order genuine HP parts or accessories	www.hp.com/buy/parts
Order through service or support providers	Contact an HP-authorized service or support provider.
Order using HP software	For information about using the HP software to order parts, accessories, and supplies, see the product user guide.

Related documentation and software

Table 2-2 Related documentation and software

Item	Description	Part number
<i>HP Color LaserJet Enterprise M651 User Guide</i>	Product user guide	CZ255-90907 (M651)
<i>HP Color LaserJet Enterprise MFP M680 User Guide</i>		CZ248-90907 (M680)
<i>HP Color LaserJet Enterprise M651/MFP M680 Repair Manual</i>	English repair manual	Not applicable
<i>HP Color LaserJet Enterprise M651/MFP M680 Troubleshooting Manual</i>	English troubleshooting manual	Not applicable

Supplies part numbers

Table 2-3 Supplies part numbers

Item	Description	Part number	
HP LaserJet toner cartridges (M651)	Black toner cartridge, high capacity	CF330X (new)	
		CF330-67901 (service)	
	Black toner cartridge	CF320A (new)	
		CF320-67901 (service)	
	Cyan toner cartridge	CF331A (new)	
		CF331-67901 (service)	
	Yellow toner cartridge	CF332A (new)	
		CF332-67901 (service)	
	Magenta toner cartridge	CF333A (new)	
		CF333-67901 (service)	
	HP LaserJet toner cartridges (M680)	Black toner cartridge, high capacity	CF320X (new)
			CF320-67902 (service)
Black toner cartridge		CF320A (new)	
		CF320-67901 (service)	
Cyan toner cartridge		CF321A (new)	
		CF321-67901 (service)	
Yellow toner cartridge		CF322A (new)	
		CF322-67901 (service)	
Magenta toner cartridge		CF323A (new)	
		CF323-67901 (service)	

Customer self-repair parts

The following customer self-repair parts are available for the product.

Each kit includes parts and installation instructions. The customer self repair (CSR) level indicates the expected difficulty the customer will experience when replacing this part:

- **A:** Easy
- **B:** Difficult

Table 2-4 Customer self-repair parts

Item	Description	CSR level	Part number
Control panel replacement kit (M651)	<ul style="list-style-type: none"> • Control panel assembly (M651) 	A	5851-5950
Control panel replacement kit (M680)	<ul style="list-style-type: none"> • Control panel assembly (M680) 	A	5851-5952
Stapling mailbox replacement kit	<ul style="list-style-type: none"> • 900-sheet, 3-bin stapling mailbox 	A	CZ248-67902
Stapler cartridge replacement kit	<ul style="list-style-type: none"> • HP staple cartridge refill 	A	C8085-60541
1x500-sheet paper feeder kit	<ul style="list-style-type: none"> • 500-sheet paper tray 	A	CZ248-67903
1x500-sheet paper feeder with cabinet kit	<ul style="list-style-type: none"> • 500-sheet paper feeder and cabinet 	A	CZ248-67904
2,500-sheet paper feeder HCI	<ul style="list-style-type: none"> • 2,500-sheet feeder accessory 	A	CZ248-67905
HP LaserJet postcard media insert tray	<ul style="list-style-type: none"> • HP LaserJet postcard media insert tray 	A	CC497-67902
Formatter replacement kit (M651)	<ul style="list-style-type: none"> • Formatter PCA • Formatter tray • Disk drive cradle • Screw, M3 x 5.6 MM 	A	CZ255-67901
Formatter replacement kit (China only; M651)	<ul style="list-style-type: none"> • Formatter PCA • Formatter tray • Disk drive cradle • Screw, M3 x 5.6 MM 	A	CZ255-67902
Formatter replacement kit (M680)	<ul style="list-style-type: none"> • Formatter PCA • Formatter tray • Disk drive cradle • Screw, M3 x 5.6 MM 	A	CZ248-67901
Formatter replacement kit (China only; M680)	<ul style="list-style-type: none"> • Formatter PCA • Formatter tray • Disk drive cradle • Screw, M3 x 5.6 MM 	A	CZ248-67906

Table 2-4 Customer self-repair parts (continued)

Item	Description	CSR level	Part number
Analog fax accessory kit (M680)	<ul style="list-style-type: none"> HP LaserJet MFP Analog Fax Accessory 500 	A	A2W77-67910
USB wireless print server kit	<ul style="list-style-type: none"> Wireless Print Server 	A	J8026-61001
NFC accessory kit	<ul style="list-style-type: none"> NFC accessory 	A	J8029-61001
Hard disk drive replacement kit	<ul style="list-style-type: none"> 320 GB hard drive Rail, disk drive - L/R 	B	CZ248-67907
Hard disk drive replacement kit (government SKU)	<ul style="list-style-type: none"> 500 GB FIPS - Gov't SKU #201 hard drive Rail, disk drive - L/R 	B	CZ248-67908
Solid-state memory (SSM) kit (M651)	<ul style="list-style-type: none"> 8 GB SSM module SSM retainer bracket 	B	CZ255-67903
1 GB memory DIMM	<ul style="list-style-type: none"> 1 GB memory DIMM 	A	A2W77-67912
ADF roller maintenance kit (M680)	<ul style="list-style-type: none"> ADF roller replacement kit 	A	L2725-60002
Maintenance image transfer kit	<ul style="list-style-type: none"> Image transfer kit 	A	CC493-67910
Toner collection unit kit	<ul style="list-style-type: none"> Toner collection unit 	A	CC493-67913
Fuser replacement kit	<ul style="list-style-type: none"> Fuser 	A	CC493-67911 (110V) CC493-67912 (220V)
NOTE: Make sure to order the correct part number for the rated voltage of the product.			
Tray 1 roller kit	<ul style="list-style-type: none"> Tray 1 pickup roller 	A	CC493-67906
Tray 2–5 feed/separation roller kit	<ul style="list-style-type: none"> Paper feed/separation rollers 	A	CC493-67907
Output bin bezel assembly	<ul style="list-style-type: none"> Tray cover 	A	CZ248-67912
Intermediate transfer belt (ITB) service kit	<ul style="list-style-type: none"> Intermediate transfer belt (ITB) Secondary transfer (T2) roller assembly 	A	CC493-67909
Secondary transfer (T2) roller kit	<ul style="list-style-type: none"> Secondary transfer (T2) roller assembly 	A	CC493-67908
ADF white backing kit (M680)	<ul style="list-style-type: none"> ADF white backing Mylar 	A	5851-6084
Backside background selector kit (M680)	<ul style="list-style-type: none"> Backside background selector 	A	5851-5022
Separation pad spring kit	<ul style="list-style-type: none"> Separation pad spring 	A	5851-4879
U.S. English keyboard kit (M680)	<ul style="list-style-type: none"> U.S. English keyboard 	A	5851-5380

Table 2-4 Customer self-repair parts (continued)

Item	Description	CSR level	Part number
U.K. English keyboard kit (M680)	<ul style="list-style-type: none"> U.K. English keyboard 	A	5851-5008
Keyboard overlay kit (M680)	<ul style="list-style-type: none"> Keyboard overlay 	A	5851-6019 (FR, IT, RU, DE, ES: UK Kybd) 5851-6020 (FR-CN, ES-LA, ES: US Kybd) 5851-6021 (FR-SW, DE-SW, DA: UK Kybd) 5851-6022 (ZHTW, ZHCN) 5851-6023 (ES, PT) 5851-6024 (JA-KG, JA-KT)

Service replacement parts

Table 2-5 Service replacement parts

Item	Description	Part number
Main drive assembly kit	<ul style="list-style-type: none"> Main drive assembly 	CC493-67915
Laser scanner assembly service kit	<ul style="list-style-type: none"> Laser scanner assembly 	CZ248-67913
Registration assembly service kit	<ul style="list-style-type: none"> Registration assembly 	CZ255-67904
Scan control board (SCB) kit (M680)	<ul style="list-style-type: none"> SCB assembly 	CZ248-67914
Scan control board (SCB) fan assembly kit (M680)	<ul style="list-style-type: none"> SCB cooling fan SCB cooling fan foam 	5851-6083
Image scanner whole unit kit (M680)	<ul style="list-style-type: none"> Image scanner whole unit ADF white backing Mylar 	CZ248-67915
ADF whole unit kit (M680)	<ul style="list-style-type: none"> ADF whole unit ADF white backing 	CZ248-67916
Mylar kit (M680)	<ul style="list-style-type: none"> Mylar separator HR Mylar deskew 	5851-4998

Accessories

Table 2-6 Accessories


Item	Description	Part number
500-sheet paper tray	Input tray accessory	CZ261
500-sheet paper feeder and cabinet	Input tray and storage cabinet accessory	CZ262


Table 2-6 Accessories (continued)

Item	Description	Part number
2,500-sheet high-capacity input (HCI) feeder	2,500-sheet feeder accessory	CZ263
Stapling mailbox	900-sheet, 3-bin stapling mailbox accessory	CZ264
HP LaserJet MFP analog fax accessory 500	Analog fax accessory	CC487A
HP LaserJet postcard media insert tray	Tray insert for printing small-size paper	CC497A
HP Jetdirect 2700w USB wireless print server	Accessory for wireless printing	J8026A
HP Jetdirect 2800w NFC/wireless direct accessory	Wireless direct accessory for “touch” printing from mobile devices	J8029A

How to use the parts lists and diagrams

The figures in this chapter show the major subassemblies in the product and their component parts. A parts list table follows each exploded view assembly diagram. Each table lists the item number, the associated part number, and the description of each part. If a part is not listed in the table, then it is not a field replacement unit (FRU).

 **CAUTION:** Be sure to order the correct part. When looking for part numbers for electrical components, pay careful attention to the voltage that is listed in the description column. Doing so will ensure that the part number selected is for the correct model.

 **NOTE:** In this manual, the abbreviation “PCA” stands for “printed circuit-board assembly.” Components described as a PCA might consist of a single circuit board or a circuit board plus other parts, such as cables and sensors.

Document feeder and scanner assemblies

Figure 2-1 Document feeder and scanner assemblies (M680)

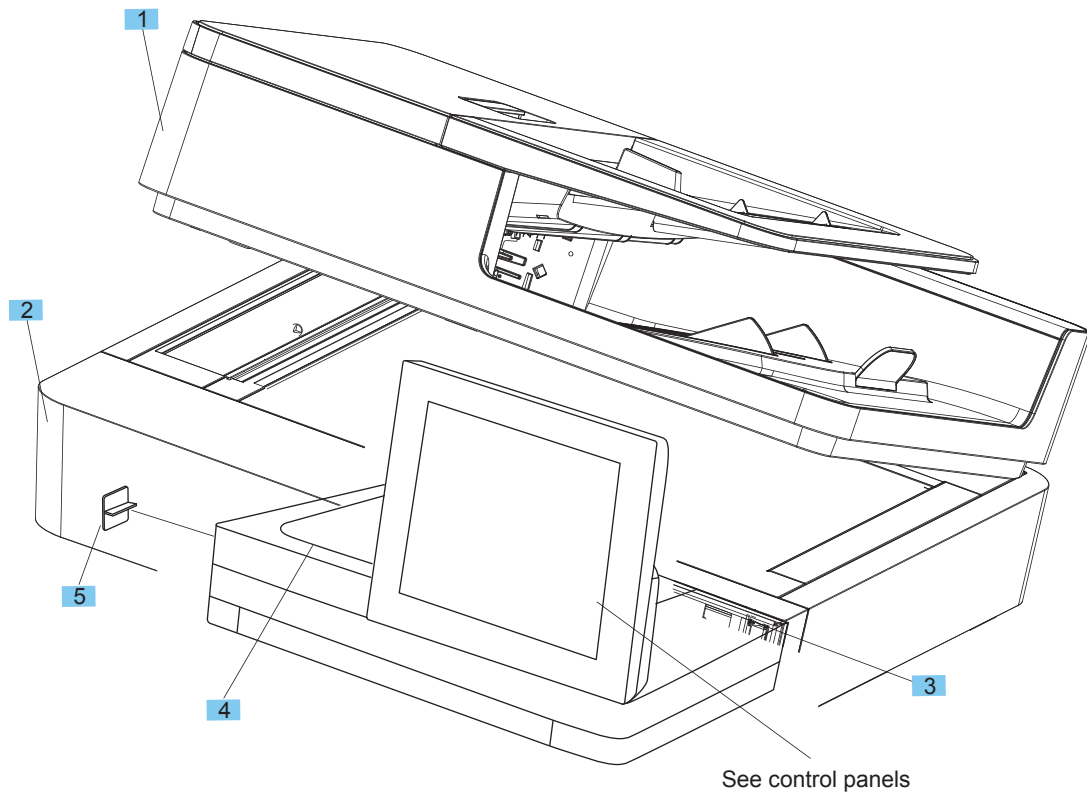


Table 2-7 Document feeder and scanner assemblies (M680)

Ref	Description	Part number	Qty
1	Kit, document feeder, complete with white backing (M680) ¹	CZ248-67916	1
2	Kit, image scanner assembly, complete with white backing (M680) ²	CZ248-67915	1
3	Cover, control panel access (M680)	5042-9118	1
4	Cover, HIP (M680)	5851-5361	1
5	Cover, USB (M680)	5851-5360	1

¹ When the document feeder assembly is replaced, use the [Service](#) menu to set the [Document feeder Kit Interval](#), [ADF Count](#), and [Clean Rollers Count](#) values to zero.

² When the image scanner assembly is replaced, use the [Service](#) menu to set the [Flatbed Count](#) value to zero.

Document feeder assemblies

Figure 2-2 Document feeder assemblies (M680, 1 of 2)

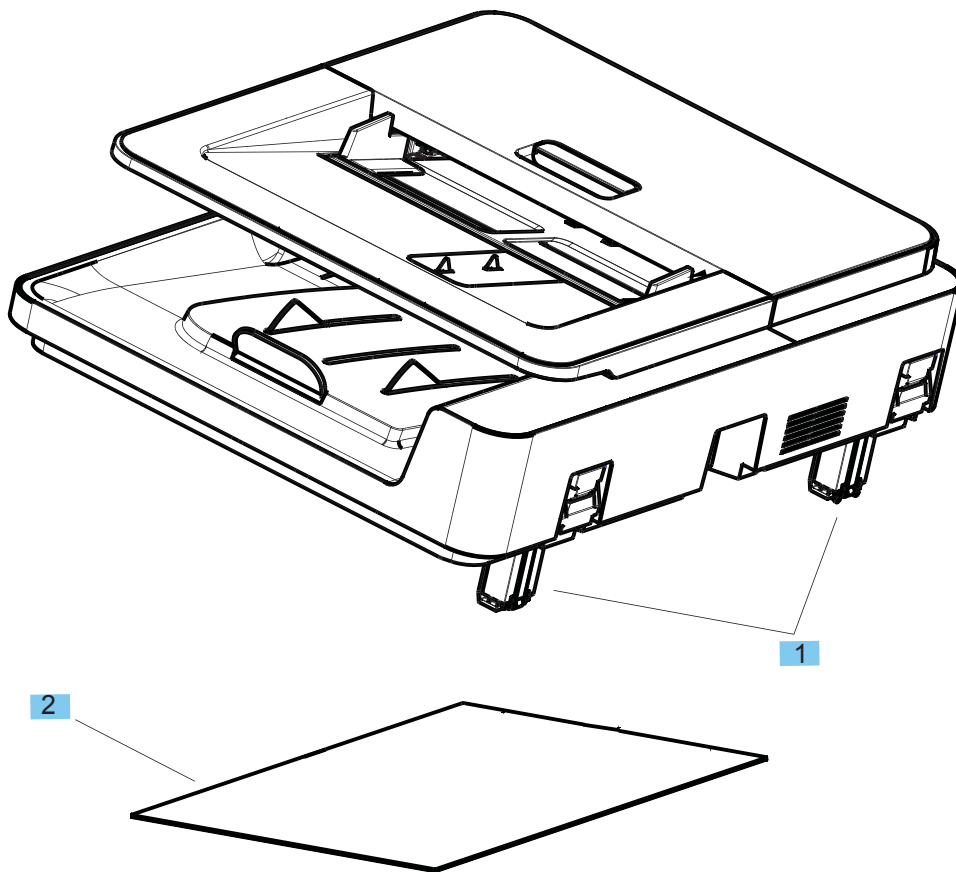


Table 2-8 Document feeder assemblies (M680, 1 of 2)

Ref	Description	Part number	Qty
1	Assembly, Hinge HR	B4A39-60011	2
2	Kit, ADF white backing (M680)	5851-6084	1

Figure 2-3 Document feeder assemblies (M680, 2 of 2)

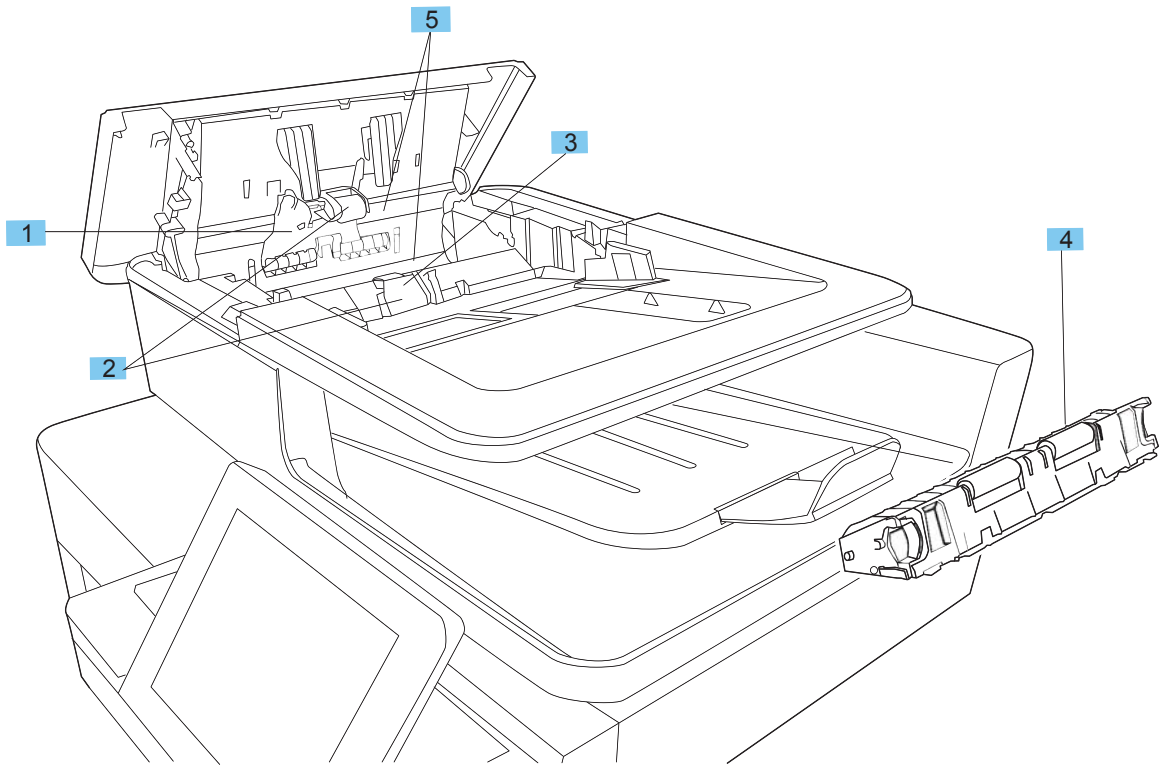


Table 2-9 Document feeder assemblies (M680, 2 of 2)

Ref	Description	Part number	Qty
1	Cover, document-feeder roller (M680)	CC355-40013	1
2	Kit, ADF roller maintenance (M680) (includes roller and separation pad)	L2725-60002	1
3	Kit, ADF separation pad spring (M680)	5851-4879	1
4	Kit, background selector for backside scan (M680)	5851-5022	1
5	Kit, document feeder mylar strips (M680)	5851-4998	2

Scan control board (SCB)

Figure 2-4 Scan control board (SCB; M680)

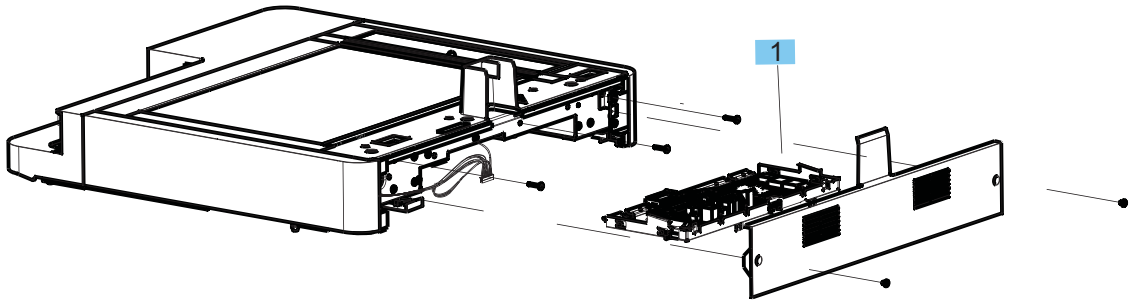


Table 2-10 Scan control board (SCB; M680)

Ref	Description	Part number	Qty
1	Scanner control board (M680)	CZ248-67914	1
Not shown	Kit, scanner control board fan assembly (M680)	5851-6083	1

Covers

Covers (M651)

Figure 2-5 Covers (M651)

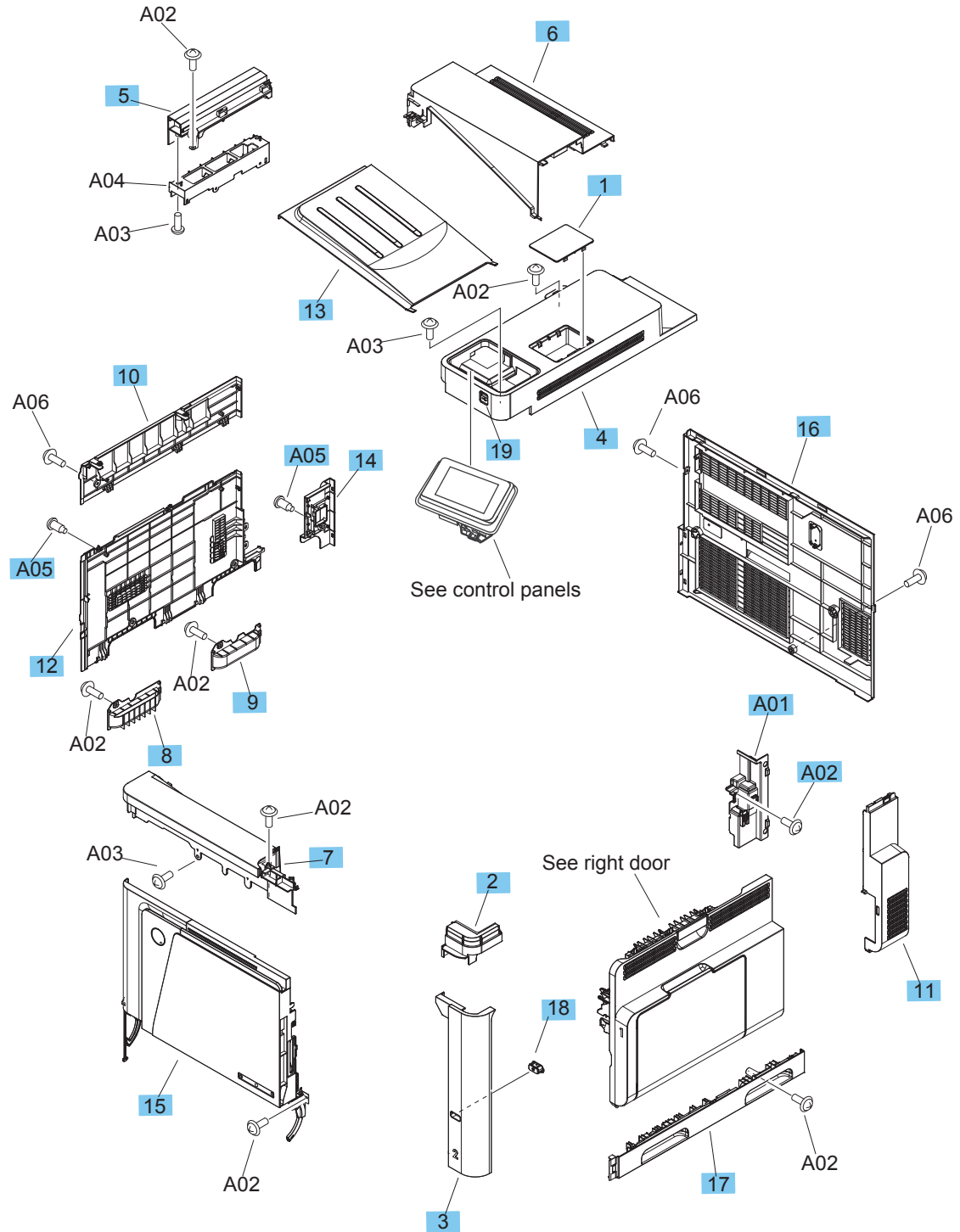


Table 2-11 Covers (M651)

Ref	Description	Part number	Qty
1	Cover, HIP (M651)	RC3-3948-000CN	1
2	Cover, right front, upper (M651)	RC3-5550-000CN	1
3	Cover, right front	RC3-5551-000CN	1
4	Cover, upper	RC3-5553-000CN	1
5	Cover, face-down, left	RC3-5555-000CN	1
6	Cover, face-down, rear	RC3-5556-000CN	1
7	Cover, front face-down	RM2-0392-000CN	1
8	Grip, left front	RC3-5625-000CN	1
9	Grip, left rear	RC3-5626-000CN	1
10	Cover, upper left	RC3-5627-000	1
11	Cover, right rear	RC3-5628-000CN	1
12	Cover, left	RC3-5629-000CN	1
13	Tray, face-down	RC3-5631-000CN	1
14	Cover, left rear	RC3-5632-000CN	1
15	Assembly, front door	RM2-0200-000CN	1
16	Cover, rear (M651)	RM2-0202-000CN	1
17	Assembly, right handle cover	RM2-0210-000CN	1
18	Assembly, switch button	RM2-0402-000CN	1
19	Cover, USB	5851-5136	1
A01	Cover, inner	RM1-5520-000CN	1
A02	Screw, D, M3x8	XA9-1671-000CN	1
A05	Screw, stepped	XA9-1671-000CN	2

Covers (M680)

Figure 2-6 Covers (M680)

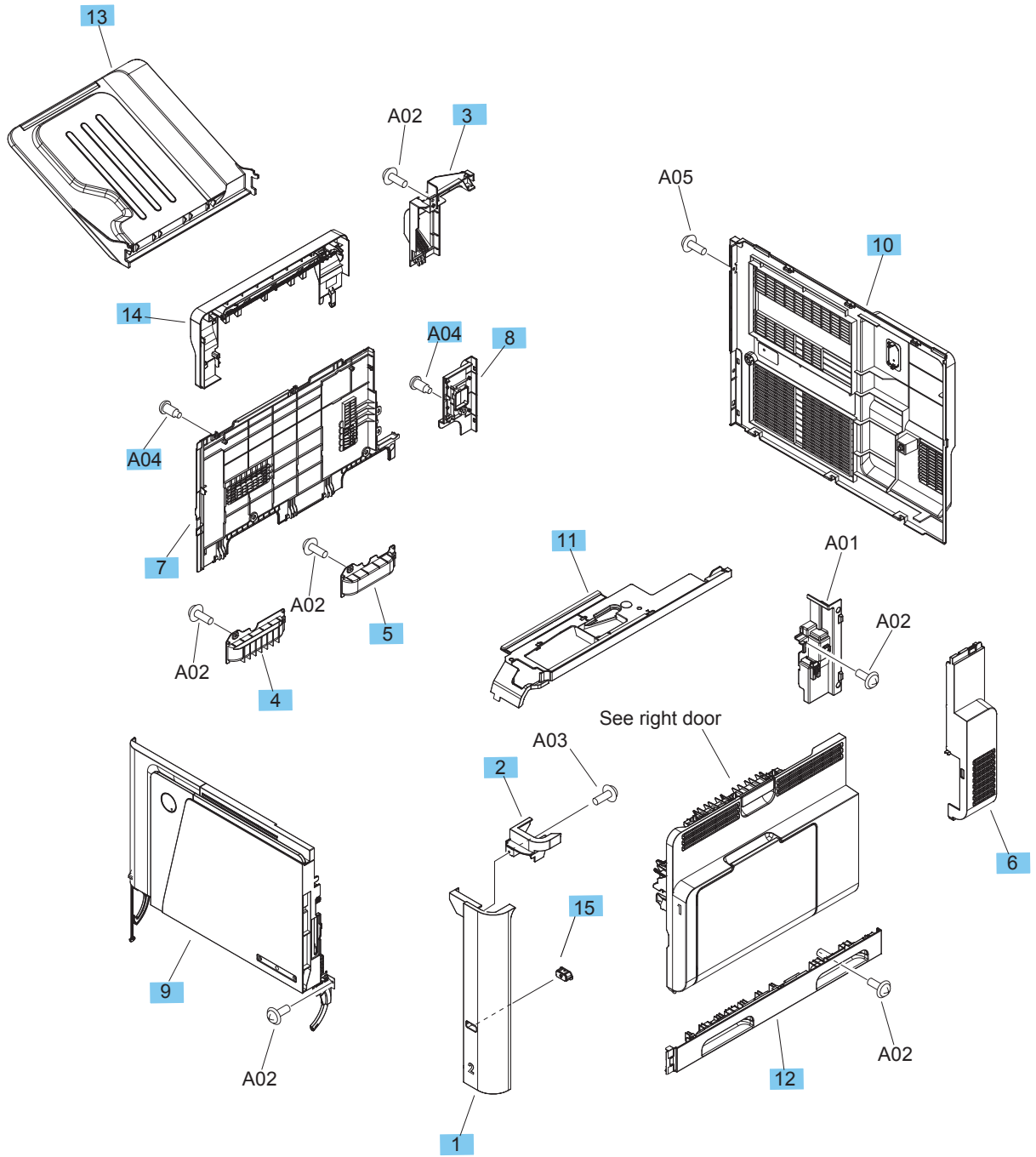


Table 2-12 Covers (M680)

Ref	Description	Part number	Qty
1	Cover, right front	RC3-5551-000CN	1
2	Cover, right front, upper (M680)	RC3-5582-000CN	1
3	Cover, fan (M680)	RC3-5593-000CN	1
4	Grip, left front	RC3-5625-000CN	1
5	Grip, left rear	RC3-5626-000CN	1
6	Cover, right rear	RC3-5628-000CN	1
7	Cover, left	RC3-5629-000CN	1
8	Cover, left rear	RC3-5632-000CN	1
9	Assembly, front door	RM2-0200-000CN	1
10	Cover, rear (M680)	RM2-0205-000CN	1
11	Assembly, intermediate cover	RM2-0206-000CN	1
12	Assembly, right handle cover	RM2-0210-000CN	1
13	Bin, standard output	RM2-0214-000CN	1
14	Bezel, output bin (M680)	CZ248-67912	1
15	Assembly, switch button	RM2-0402-000CN	1
A01	Cover, inner	RM1-5520-000CN	1
A02	Screw, D, M3x8	XA9-1671-000CN	1
A04	Screw, stepped	XA9-1671-000CN	2

Right door

Figure 2-7 Right door

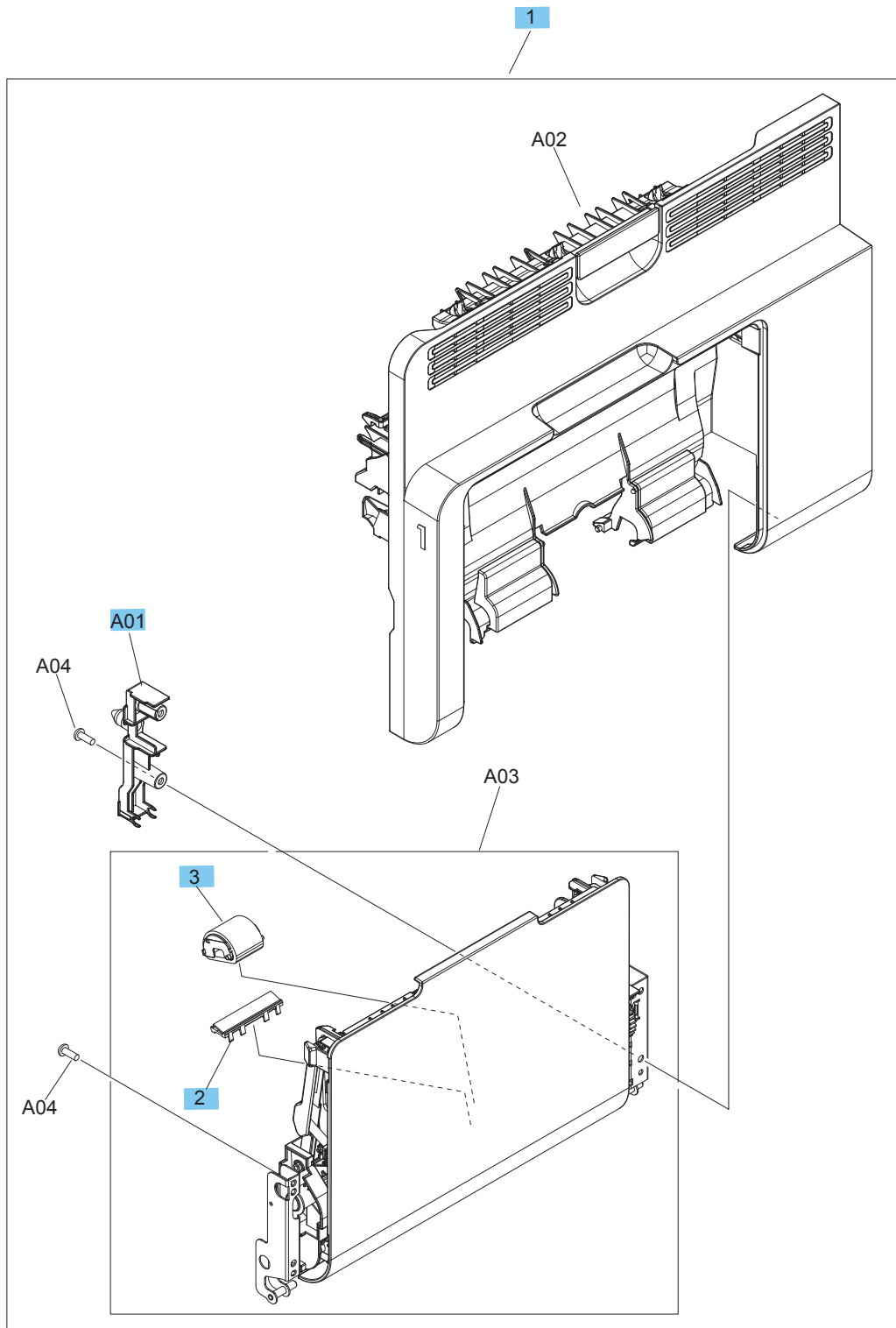


Table 2-13 Right door

Ref	Description	Part number	Qty
1	Assembly, right door	RM2-0208-000CN	1
2	Pad, Tray 1 separation	RL1-1937-000CN	1
3	Kit, Tray 1 roller	CC493-67906	1
A01	Cover, M.R. crossmember	RC2-4747-000CN	1

Control panels

Figure 2-8 Control panels

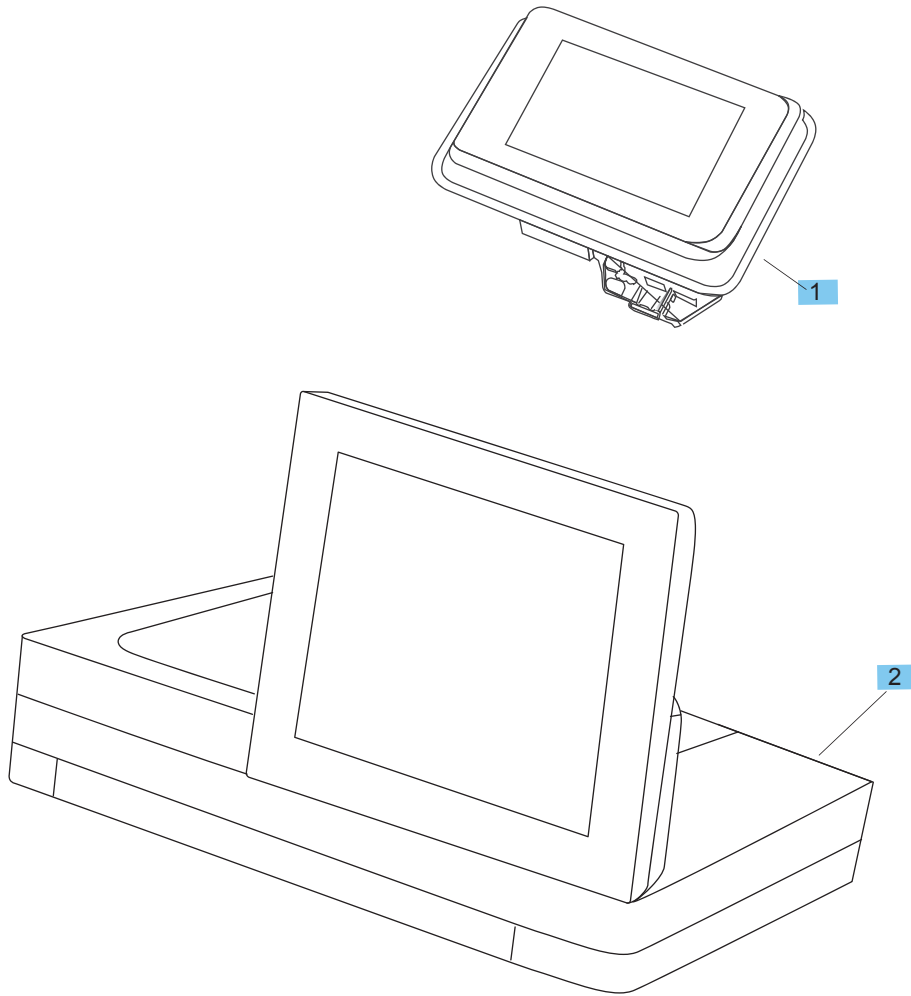


Table 2-14 Control panels

Ref	Description	Part number	Qty
1	Kit, control panel (M651)	5851-5950	1
2	Kit, control panel (without keyboard) (M680)	5851-5952	1
Not shown	Kit, U.S. English keyboard (M680)	5851-5380	1
Not shown	Kit, U.K. English keyboard (M680)	5851-5008	1

Internal assemblies

Internal assemblies (M651)

Figure 2-9 Internal assemblies (M651)

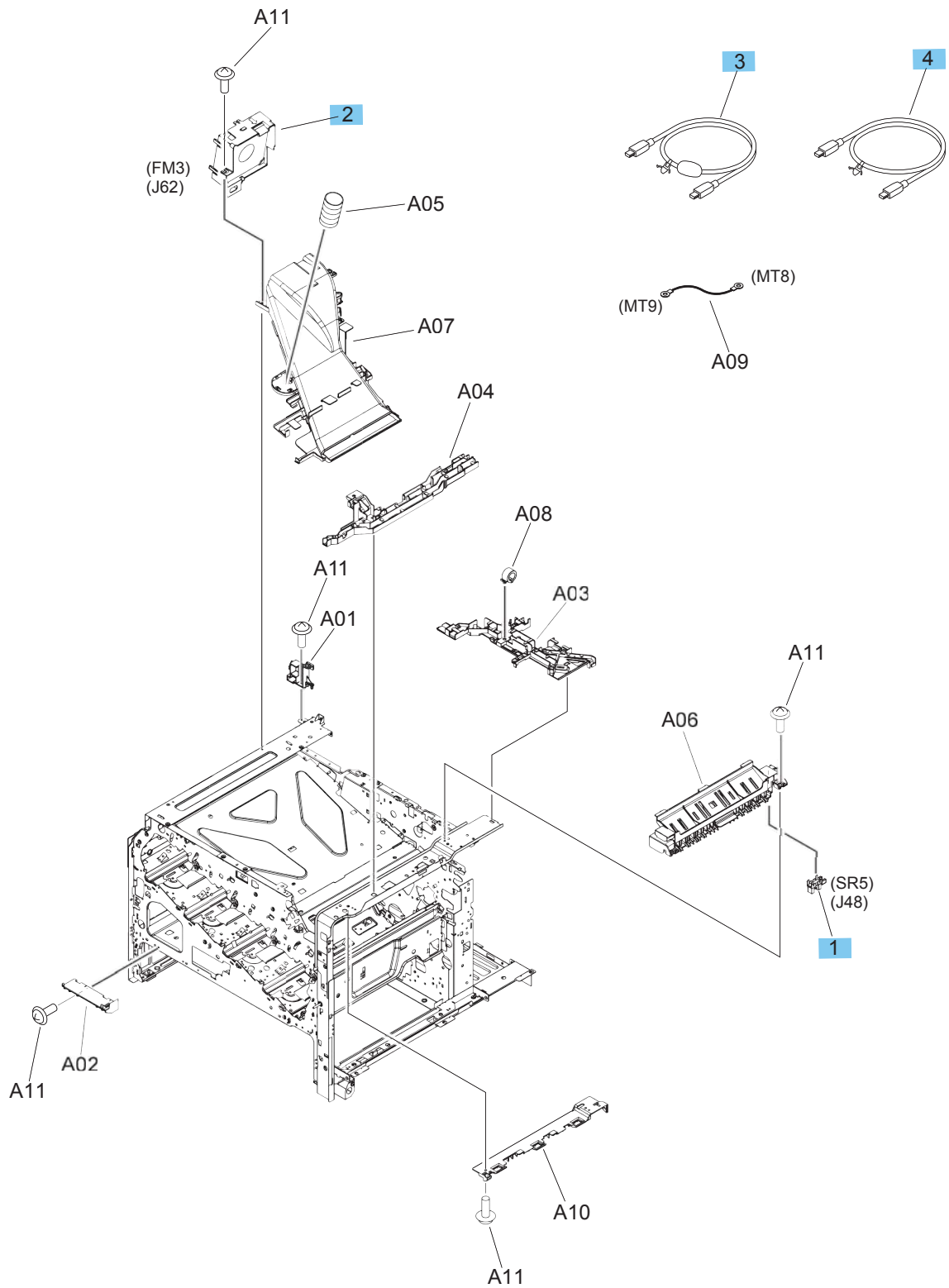


Table 2-15 Internal assemblies (M651)

Ref	Description	Part number	Qty
1	Photointerrupter	WG8-5935-000CN	1
2	Assembly, paper-delivery fan (M651)	RM1-5501-000CN	1
3	Cable, USB, IS	RK2-5077-000CN	1
4	Cable, USB, SH	RK2-5078-000CN	1

Internal assemblies (M680)

Figure 2-10 Internal assemblies (M680)

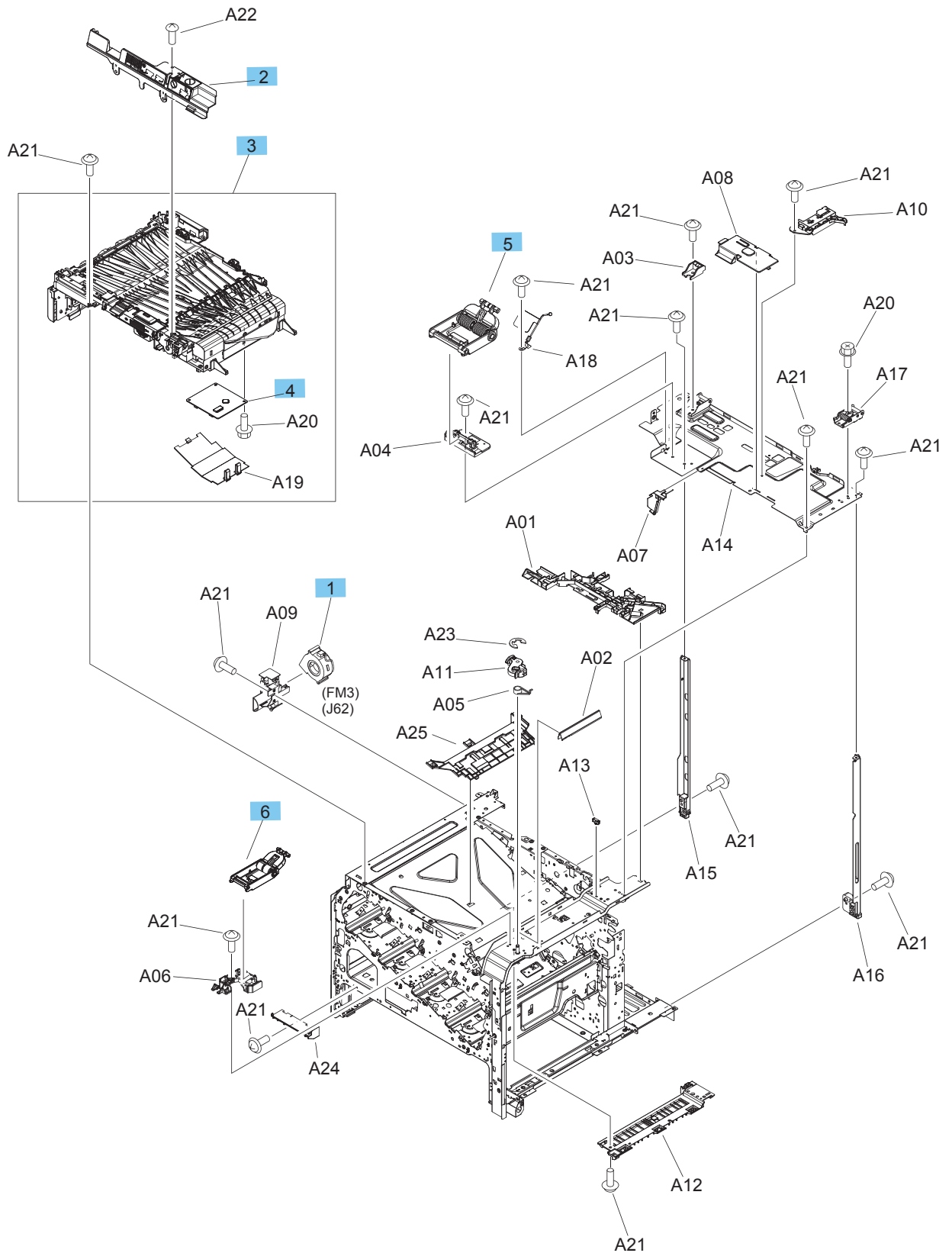


Table 2-16 Internal assemblies (M680)

Ref	Description	Part number	Qty
1	Assembly, paper-delivery fan (M680)	RK2-2575-000CN	1
2	Assembly, IPTU inner cover	RL1-3976-000CN	1
3	Assembly, intermediate paper feed	RM2-0216-000CN	1
4	Assembly, IPTU driver PCA	RM2-0474-000CN	1
5	Assembly, scissors hinge, left	RM1-5616-000	1
6	Assembly, scissors hinge, right	RM2-5771-000CN	1

Internal assemblies (1 of 6)

Figure 2-11 Internal assemblies (1 of 6)

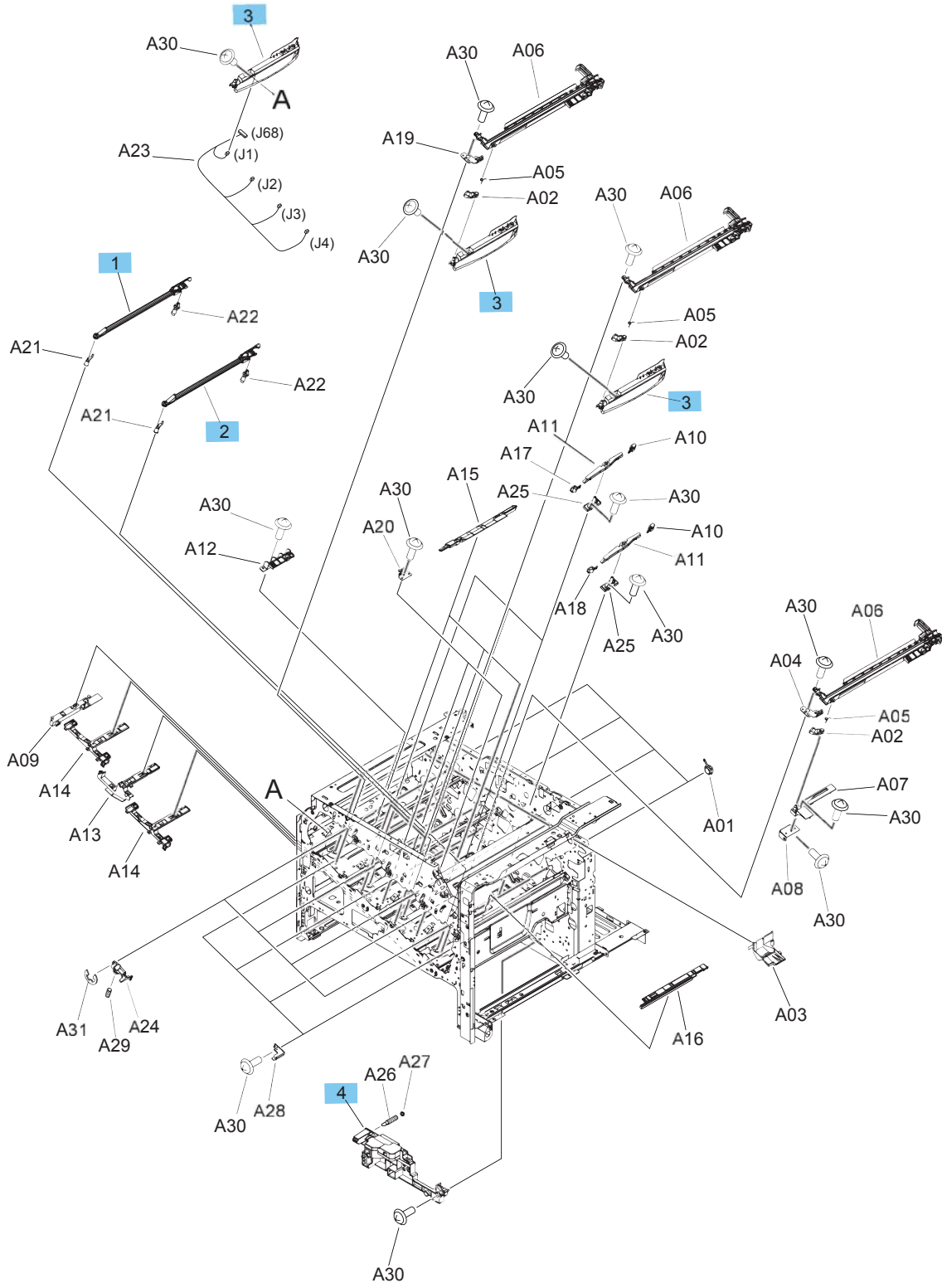


Table 2-17 Internal assemblies (1 of 6)

Ref	Description	Part number	Qty
1	Assembly, shutter	RM1-5488-000CN	2
2	Assembly, shutter	RM1-5489-000CN	2
3	Assembly, toner remain PCA	RM1-5771-000CN	4
4	Assembly, lifter base	RM1-5913-000CN	1

Internal assemblies (2 of 6)

Figure 2-12 Internal assemblies (2 of 6)

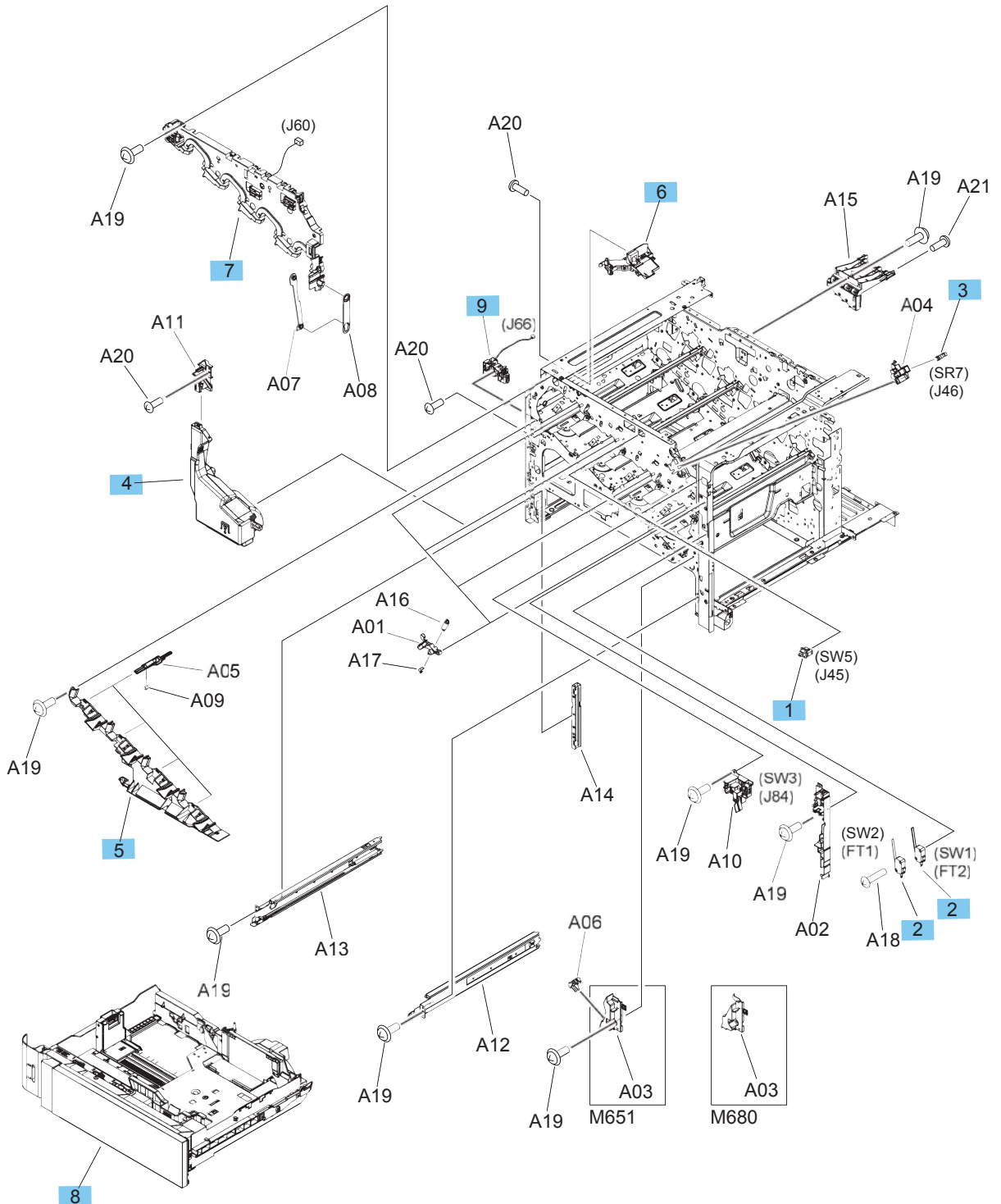


Table 2-18 Internal assemblies (2 of 6)

Ref	Description	Part number	Qty
1	Switch, push	WC2-5637-000CN	1
2	Switch	WC4-5303-000CN	2
3	Photointerrupter	WG8-5935-000CN	1
4	Kit, toner collection unit	CC493-67913	1
5	Assembly, front inner cover lower	RM1-5598-000CN	1
6	Assembly, residual-toner transfer	RM2-0399-000CN	1
7	Assembly, front inner cover upper	RM2-0219-000CN	1
8	Tray	RM2-0340-000CN	1
9	Sensor, residual toner full	RM2-0397-000CN	1

Internal assemblies (3 of 6)

Figure 2-13 Internal assemblies (3 of 6)

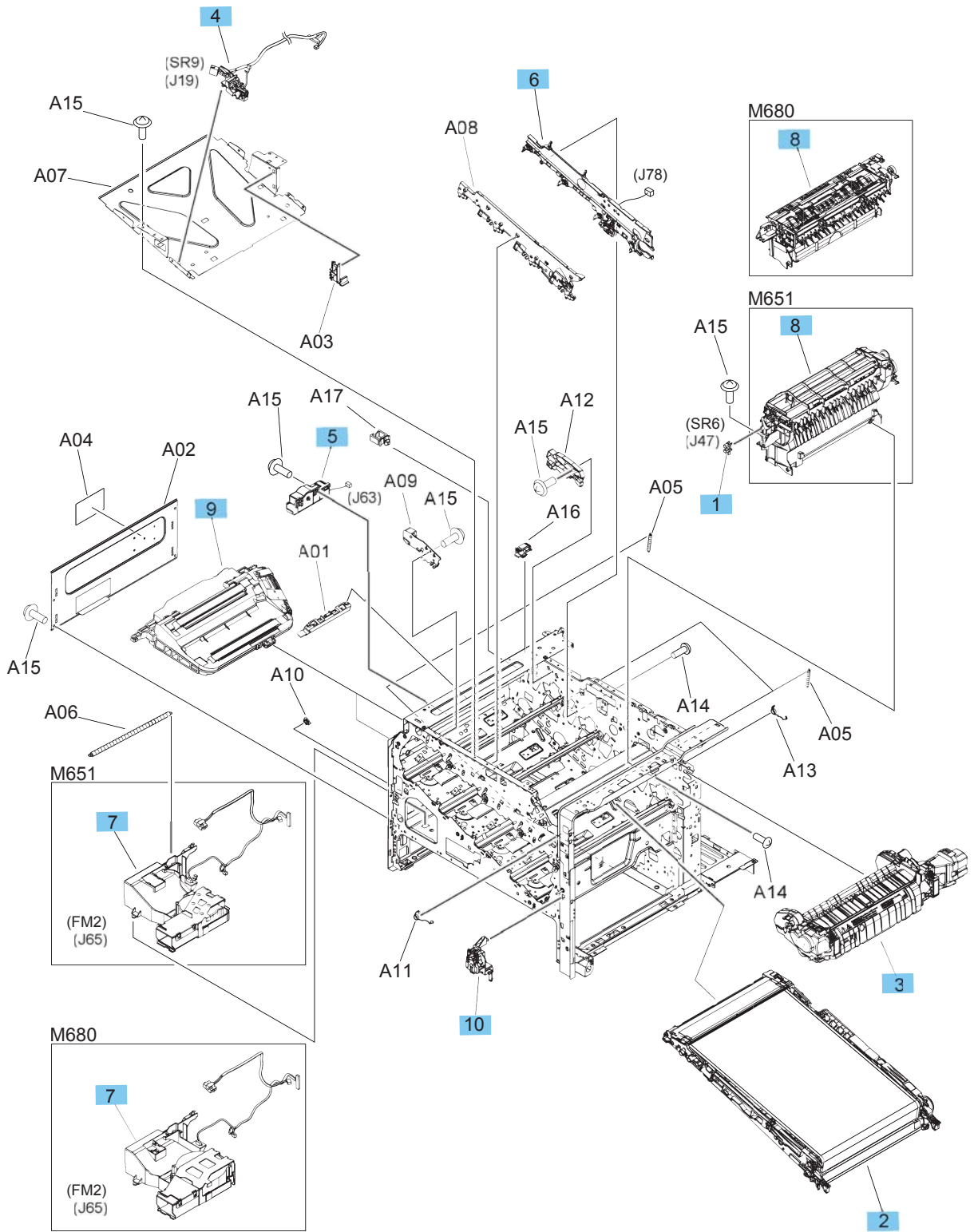


Table 2-19 Internal assemblies (3 of 6)

Ref	Description	Part number	Qty
1	Photointerrupter	WG8-5935-000CN	1
2	Kit, intermediate transfer belt (includes secondary transfer roller)	CC493-67909	2
3	Kit, fuser replacement, 110V	CC493-67911	1
3	Kit, fuser replacement, 220V	CC493-67912	1
4	Assembly, position detect	RM1-5604-000CN	1
5	Assembly, residual-toner-feed motor	RM1-5605-010CN	1
6	Assembly, rear pre-exposure	RM2-0500-000CN	1
7	Assembly, cartridge fan (M651)	RM2-0212-000CN	1
7	Assembly, cartridge fan (M680)	RM2-0213-000CN	1
8	Assembly, paper-delivery (M651)	RM2-0223-000CN	1
8	Assembly, paper-delivery (M680)	RM1-5615-000CN	1
9	Kit, laser scanner assembly	CZ248-67913	2
10	Assembly, main switch	RM2-0386-000CN	1

Internal assemblies (4 of 6)

Figure 2-14 Internal assemblies (4 of 6)

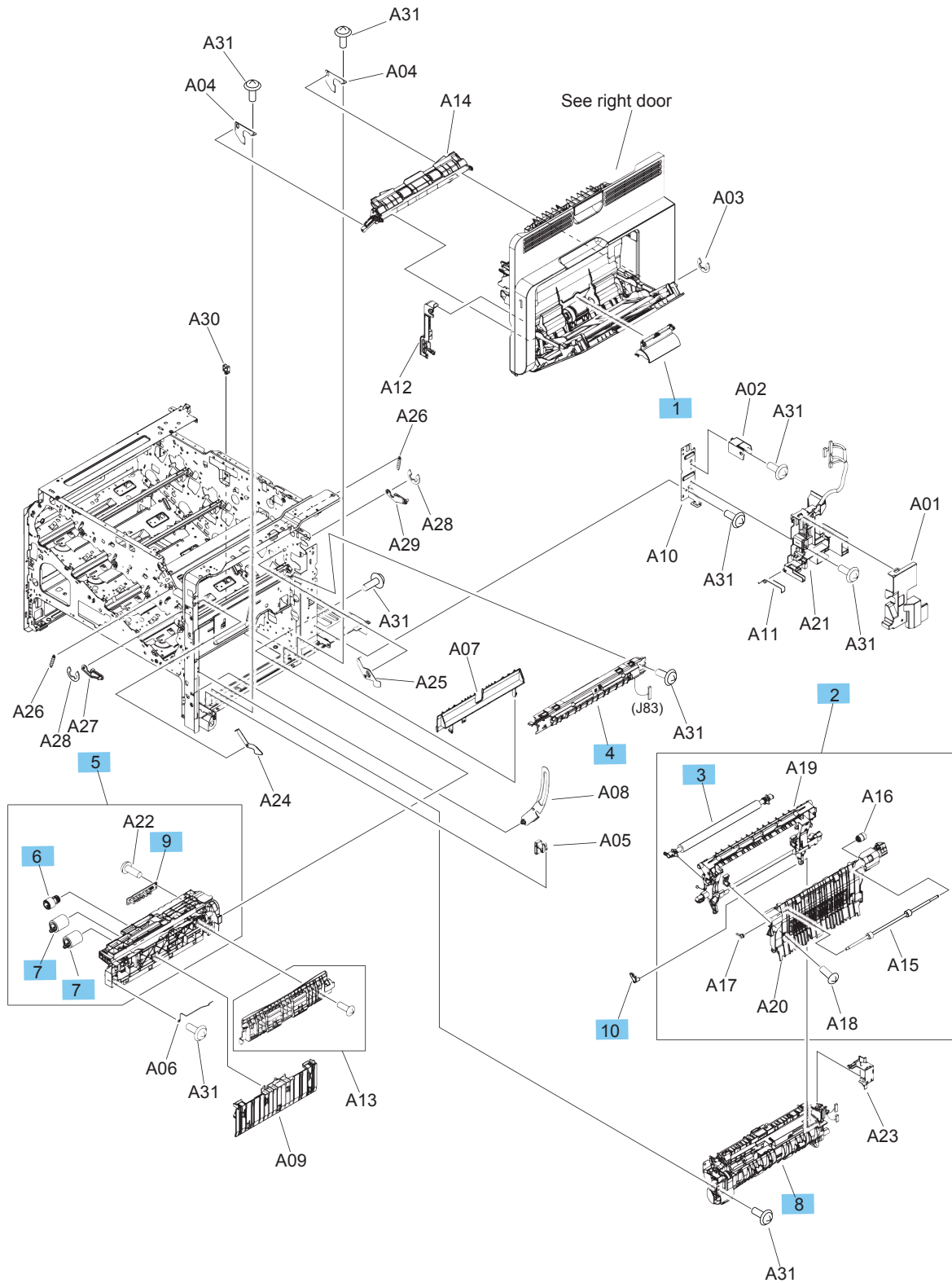


Table 2-20 Internal assemblies (4 of 6)

Ref	Description	Part number	Qty
1	Cover, roller	RC3-5630-000CN	1
2	Assembly, secondary transfer	RM1-5564-040CN	1
3	Kit, secondary transfer (T2) roller	CC493-67908	1
4	Assembly, registration density (RD) sensor	RM1-5641-000CN	1
5	Assembly, paper-pickup	RM1-5919-000CN	1
6	Roller, paper pickup	RL1-2099-000CN	1
7	Roller, paper feed/separation (part of Tray 2-5 feed/separation roller kit)	CC493-67907	2
8	Kit, registration assembly	CZ255-67904	1
9	Assembly, paper sensor PCA	RM1-5853-000CN	1
10	Shaft, support	RC2-4162-000CN	1

Internal assemblies (5 of 6)

Figure 2-15 Internal assemblies (5 of 6)

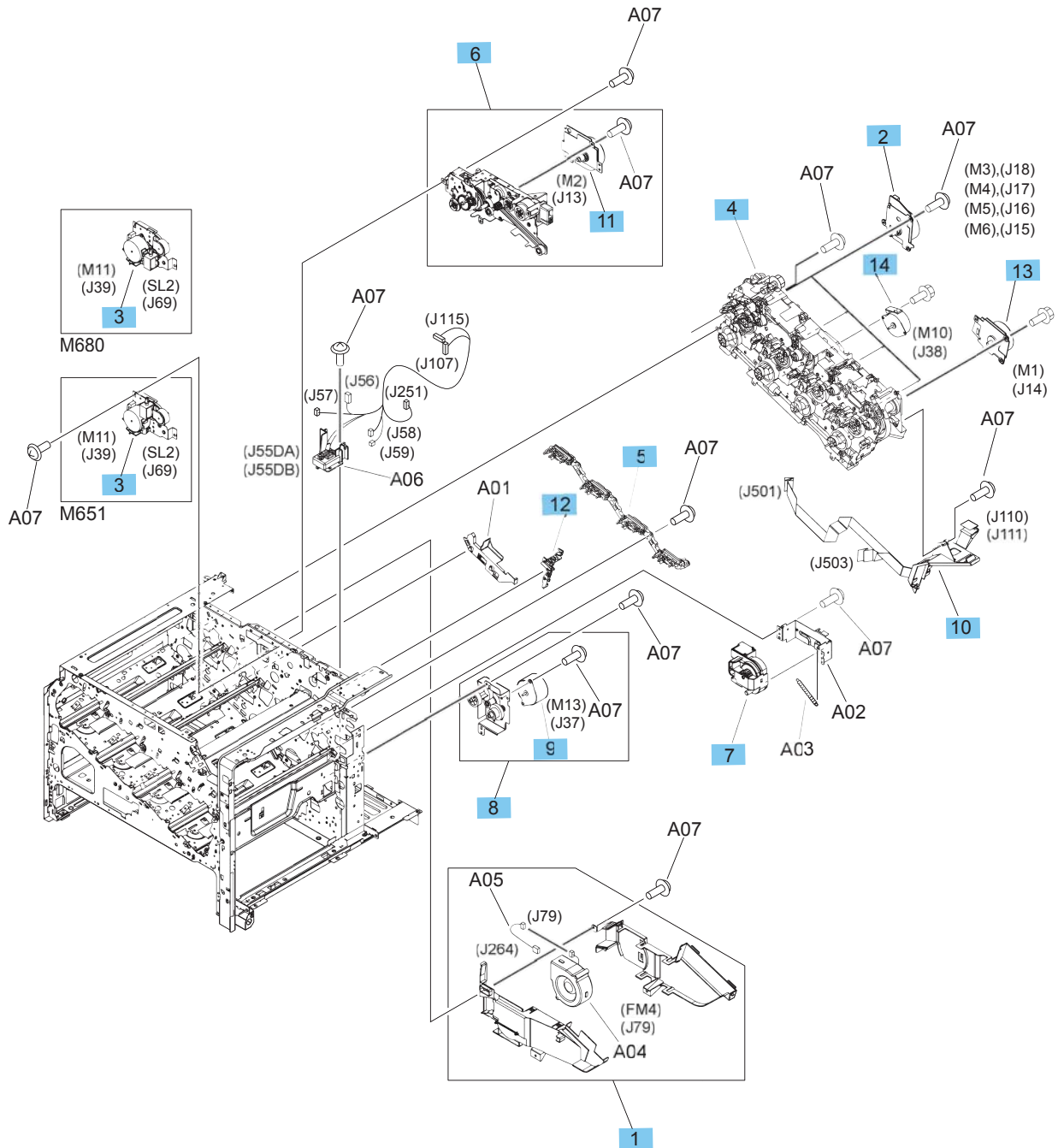


Table 2-21 Internal assemblies (5 of 6)

Ref	Description	Part number	Qty
1	Assembly, cartridge duct	RM1-5497-010CN	1
2	Motor, main DC	RM1-5521-010CN	4
3	Assembly, duplexing-drive (M651)	RM1-5546-000CN	1
3	Assembly, duplexing drive (M680)	RM1-4973-000CN	1
4	Kit, main drive assembly	CC493-67915	1
5	Assembly, tag holder	RM1-5638-000CN	1
6	Assembly, fuser drive	RM1-5656-000CN	1
7	Assembly, lifter	RM1-5914-000CN	1
8	Assembly, paper-pickup drive	RM2-0385-000CN	1
9	Motor, pickup	RK2-5053-000CN	1
10	Assembly, flexible flat cable	RM2-0393-000CN	1
11	Motor, fuser	RM1-4983-000CN	1
12	Guide, cable	RC2-4468-000CN	1
13	Motor, ITB	RM1-5777-000CN	1
14	Motor, developing disengagement	RK2-2415-000CN	1

Table 2-22 Internal assemblies (6 of 6)

Ref	Description	Part number	Qty
1	Cable, flexible flat, H.V.T.	RK2-5072-000CN	1
2	Switch, push	WC2-5637-000CN	1
3	Fan, power-supply	RK2-2577-000CN	1
4	Assembly, inner connecting PCA (M651)	RM2-0221-000CN	1
4	Assembly, inner connecting PCA (M680)	RM2-0220-000CN	1
5	Assembly, high-voltage power supply PCA, lower	RM2-0460-000CN	1
6	Assembly, `high-voltage power supply PCA, upper	RM2-0462-000CN	1
7	Assembly, low-voltage power supply PCA 110-127V	RM2-0464-000CN	1
7	Assembly, low-voltage power supply PCA 220-240V	RM2-0466-000CN	1
8	Assembly, DC controller PCA	RM2-0498-000CN	1
9	Cable, flexible flat	RK2-5070-000CN	1
Not shown	Kit, formatter replacement (M651)	CZ255-67901	1
Not shown	Kit, formatter replacement (China only; M651)	CZ255-67902	1
Not shown	Kit, formatter replacement (M680)	CZ248-67901	1
Not shown	Kit, formatter replacement (China only; M680)	CZ248-67906	1

1x500-sheet paper feeder

1x500-sheet paper feeder covers

Figure 2-17 500-sheet paper feeder covers

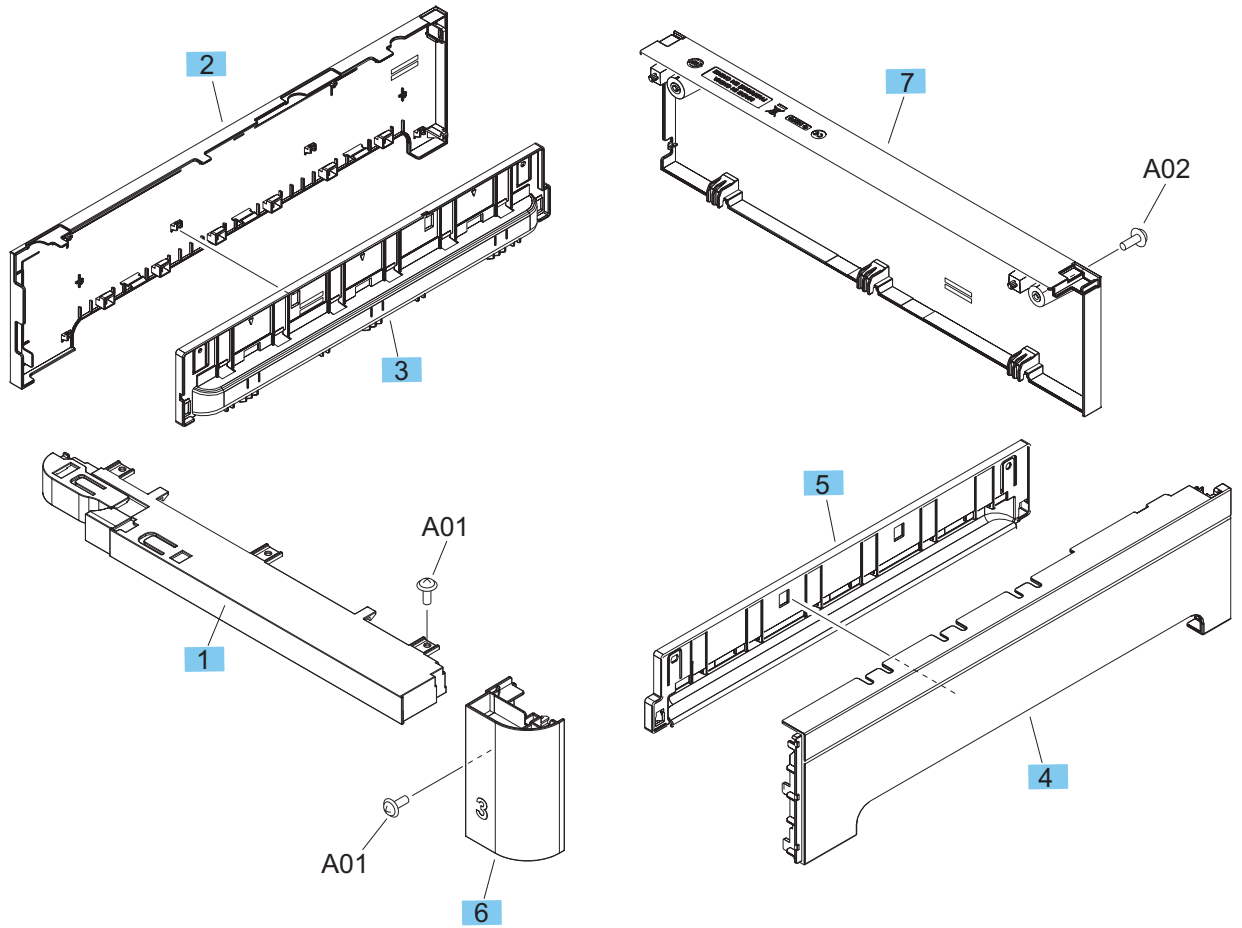


Table 2-23 1x500-sheet paper feeder covers

Ref	Description	Part number	Qty
1	Assembly, front upper cover	RM2-0364-000CN	1
2	Cover, left (1x500-sheet paper feeder)	RC3-5530-000CN	1
3	Cover, handle, left	RC3-5531-000CN	1
4	Cover, right	RC3-5532-000CN	1
5	Cover, handle, right	RC3-5533-000CN	1
6	Cover, right front (1x500-sheet paper feeder)	RC3-5522-000CN	1
7	Cover, rear (1x500-sheet paper feeder)	RC3-5534-000CN	1

1x500-sheet paper feeder components

Figure 2-18 500-sheet paper feeder components

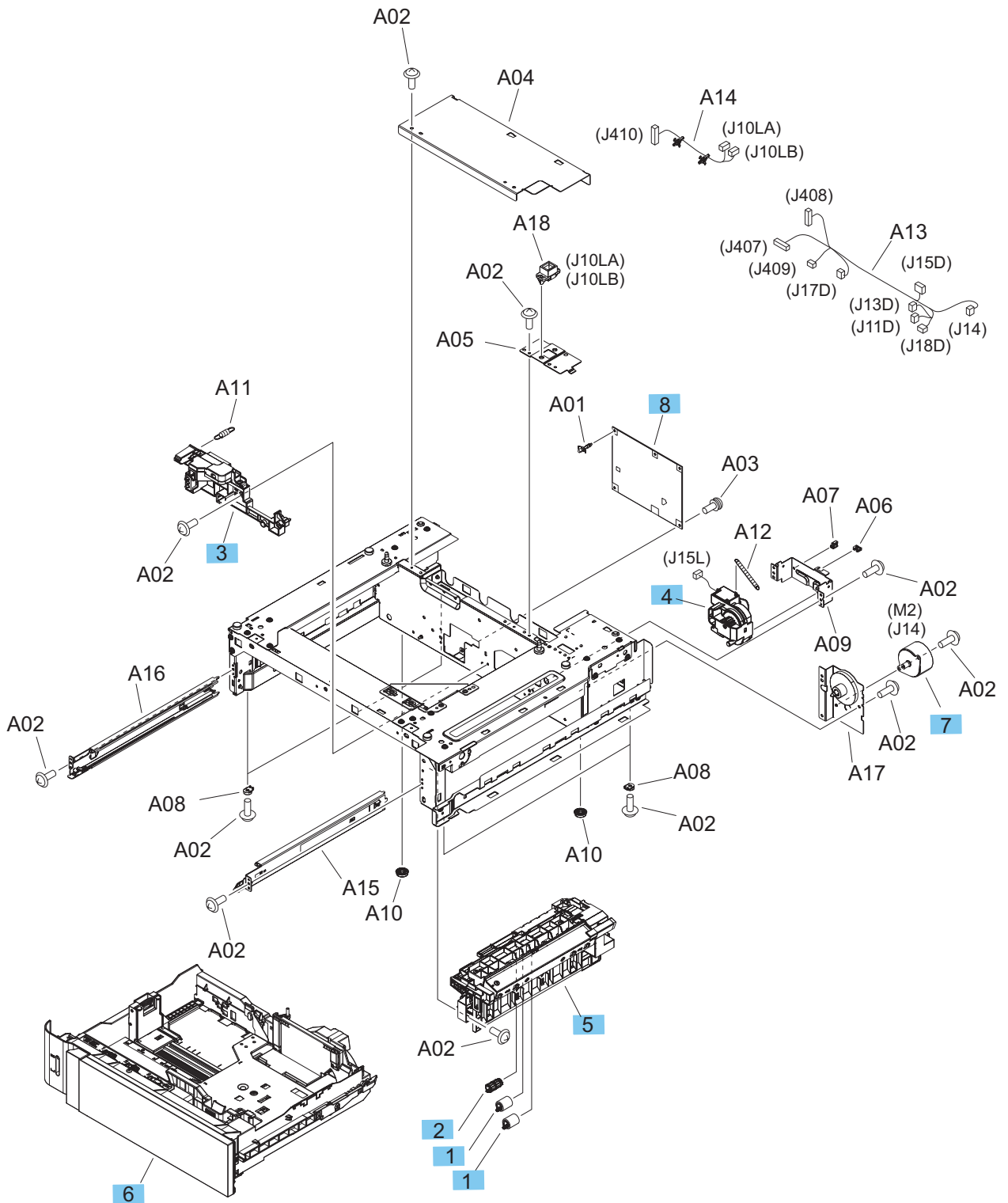


Table 2-24 1x500-sheet paper feeder components

Ref	Description	Part number	Qty
1	Roller, paper feed/separation (part of Tray 2-5 feed/separation roller kit)	CC493-67907	2
2	Roller, paper pickup	RL1-2099-000CN	1
3	Assembly, lifter base	RM1-5913-000CN	1
4	Assembly, lifter	RM1-5914-000CN	1
5	Assembly, paper-pickup (1x500-sheet paper feeder)	RM2-0341-000CN	1
6	Tray	RM2-0340-000CN	1
7	Motor, DC	RK2-5085-000CN	1
8	Assembly, feeder PCA	RM2-0501-000CN	1

1x500-sheet paper feeder with cabinet

1x500-sheet paper feeder with cabinet covers

Figure 2-19 1x500-sheet paper feeder with cabinet covers

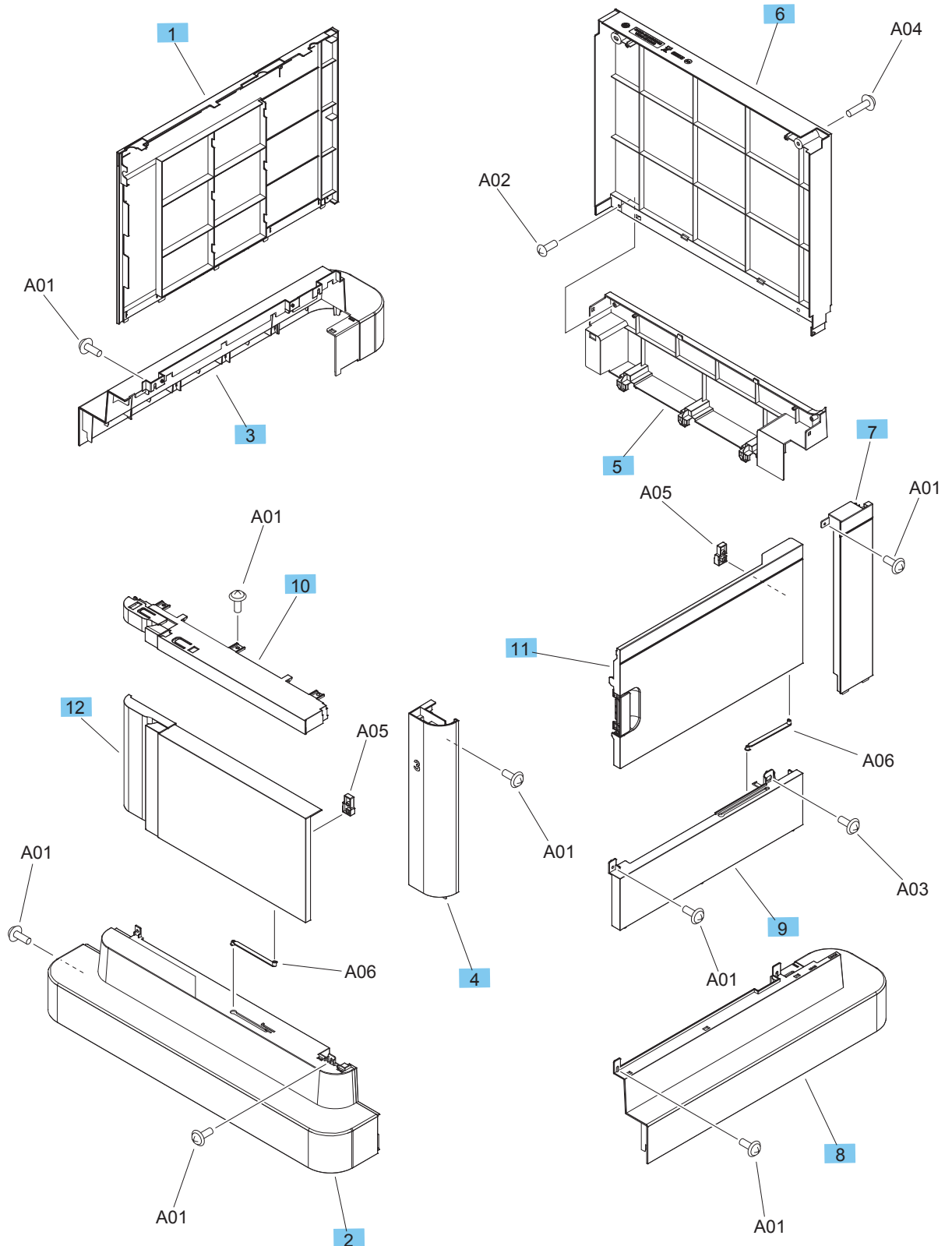


Table 2-25 1x500-sheet paper feeder with cabinet covers

Ref	Description	Part number	Qty
1	Cover, left (1x500-sheet paper feeder with cabinet)	RC3-5499-000CN	1
2	Cover, front lower	RC3-5514-000CN	1
3	Cover, left lower	RC3-5515-000CN	1
4	Cover, right front (1x500-sheet paper feeder with cabinet)	RC3-5520-000CN	1
5	Cover, rear lower	RC3-5523-000CN	1
6	Cover, rear (1x500-sheet paper feeder with cabinet)	RC3-5524-000CN	1
7	Cover, right rear (1x500-sheet paper feeder with cabinet)	RC3-5525-000CN	1
8	Cover, right lower	RC3-5526-000CN	1
9	Cover, right center	RC3-5527-000CN	1
10	Assembly, front upper cover	RM2-0364-000CN	1
11	Assembly, right door (1x500-sheet paper feeder with cabinet)	RM2-0368-000CN	1
12	Assembly, stock box door	RM2-0369-000CN	1

Table 2-26 1x500-sheet paper feeder with cabinet components

Ref	Description	Part number	Qty
1	Roller, paper pickup	RL1-2099-000CN	1
2	Roller, paper feed/separation (part of Tray 2-5 feed/separation roller kit)	CC493-67907	2
3	Assembly, lifter base	RM1-5913-000CN	1
4	Assembly, lifter	RM1-5914-000CN	1
5	Assembly, paper-pickup (1x500-sheet paper feeder with cabinet)	RM2-0341-000CN	1
6	Tray	RM2-0340-000CN	1
7	Motor, DC	RK2-5085-000CN	1
8	Assembly, feeder PCA	RM2-0501-000CN	1

2,500-sheet paper feeder HCI

2,500-sheet paper feeder HCI covers

Figure 2-21 2,500-sheet paper feeder HCI covers

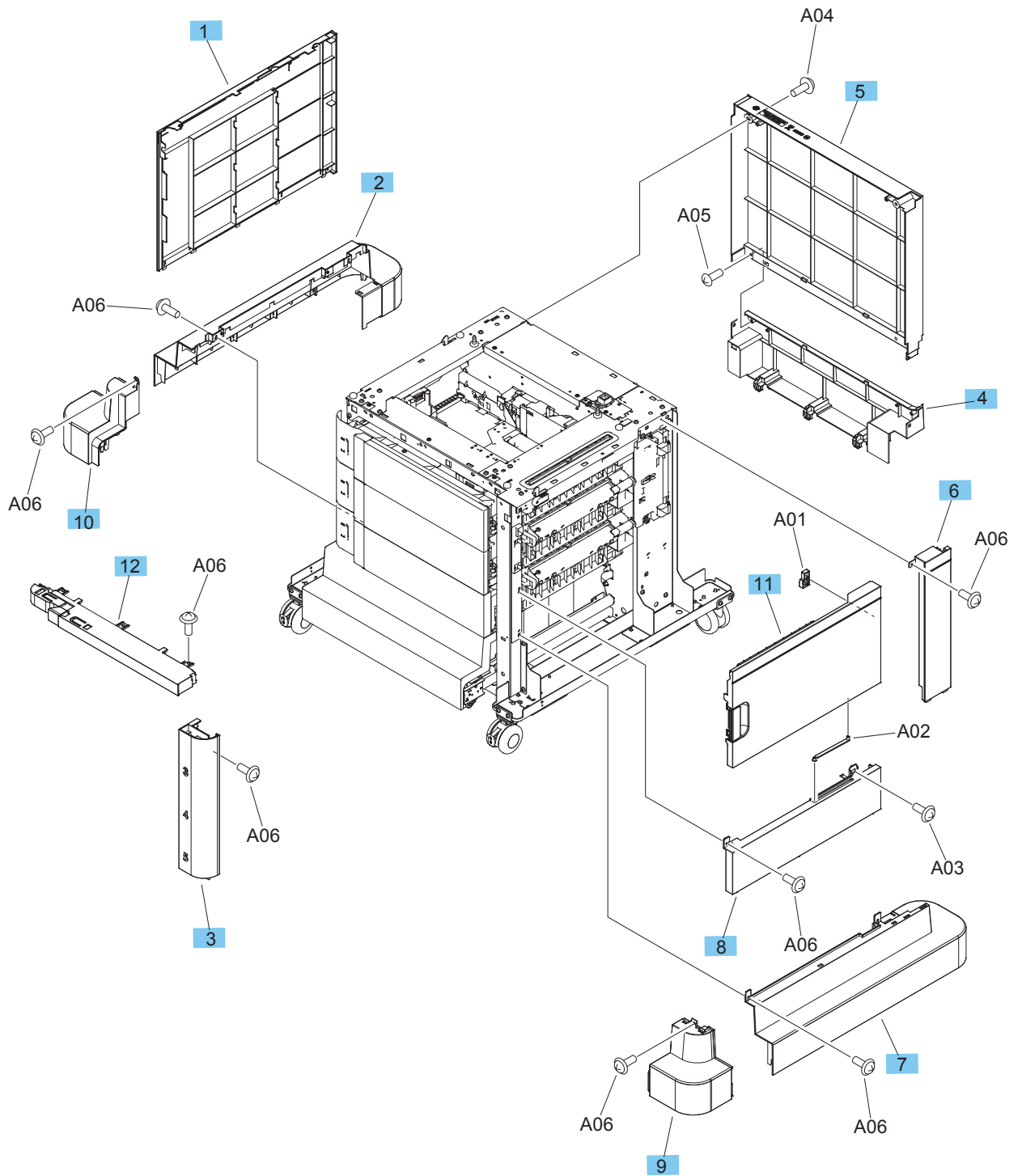


Table 2-27 2,500-sheet paper feeder HCI covers

Ref	Description	Part number	Qty
1	Cover, left (2,500-sheet paper feeder HCI)	RC3-5499-000CN	1
2	Cover, left lower	RC3-5515-000CN	1
3	Cover, right front (2,500-sheet paper feeder HCI)	RC3-5521-000CN	1
4	Cover, rear lower	RC3-5523-000CN	1
5	Cover, rear (2,500-sheet paper feeder HCI)	RC3-5524-000CN	1
6	Cover, right rear (2,500-sheet paper feeder HCI)	RC3-5525-000CN	1
7	Cover, right lower	RC3-5526-000CN	1
8	Cover, right center	RC3-5527-000CN	1
9	Cover, front lower right	RC3-5535-000CN	1
10	Cover, front lower left	RC3-5536-000CN	1
11	Assembly, right door (2,500-sheet paper feeder HCI)	RM2-0362-000CN	1
12	Assembly, front upper cover	RM2-0364-000CN	1

2,500-sheet paper feeder HCI components (1 of 2)

Figure 2-22 2,500-sheet paper feeder HCI components (1 of 2)

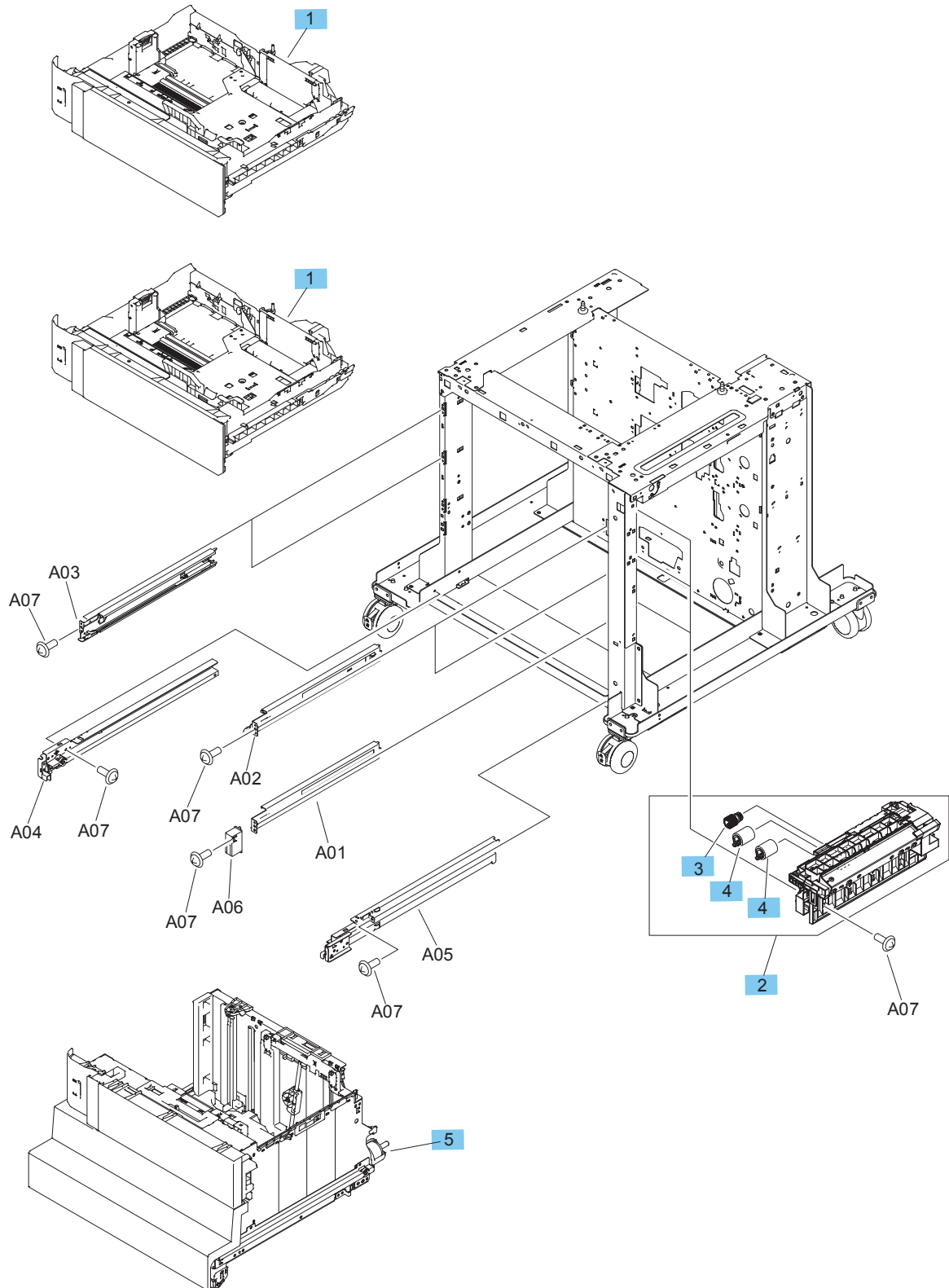


Table 2-28 2,500-sheet paper feeder HCI components (1 of 2)

Ref	Description	Part number	Qty
1	Tray	RM2-0340-000CN	2
2	Assembly, paper-pickup (2,500-sheet paper feeder HCI)	RM2-0341-000CN	3
3	Roller, paper pickup	RL1-2099-000CN	3
4	Roller, paper feed/separation (part of Tray 2-5 feed/separation roller kit)	CC493-67907	6
5	Assembly, tray	RM2-0351-000CN	1

2,500-sheet paper feeder HCI components (2 of 2)

Figure 2-23 2,500-sheet paper feeder HCI components (2 of 2)

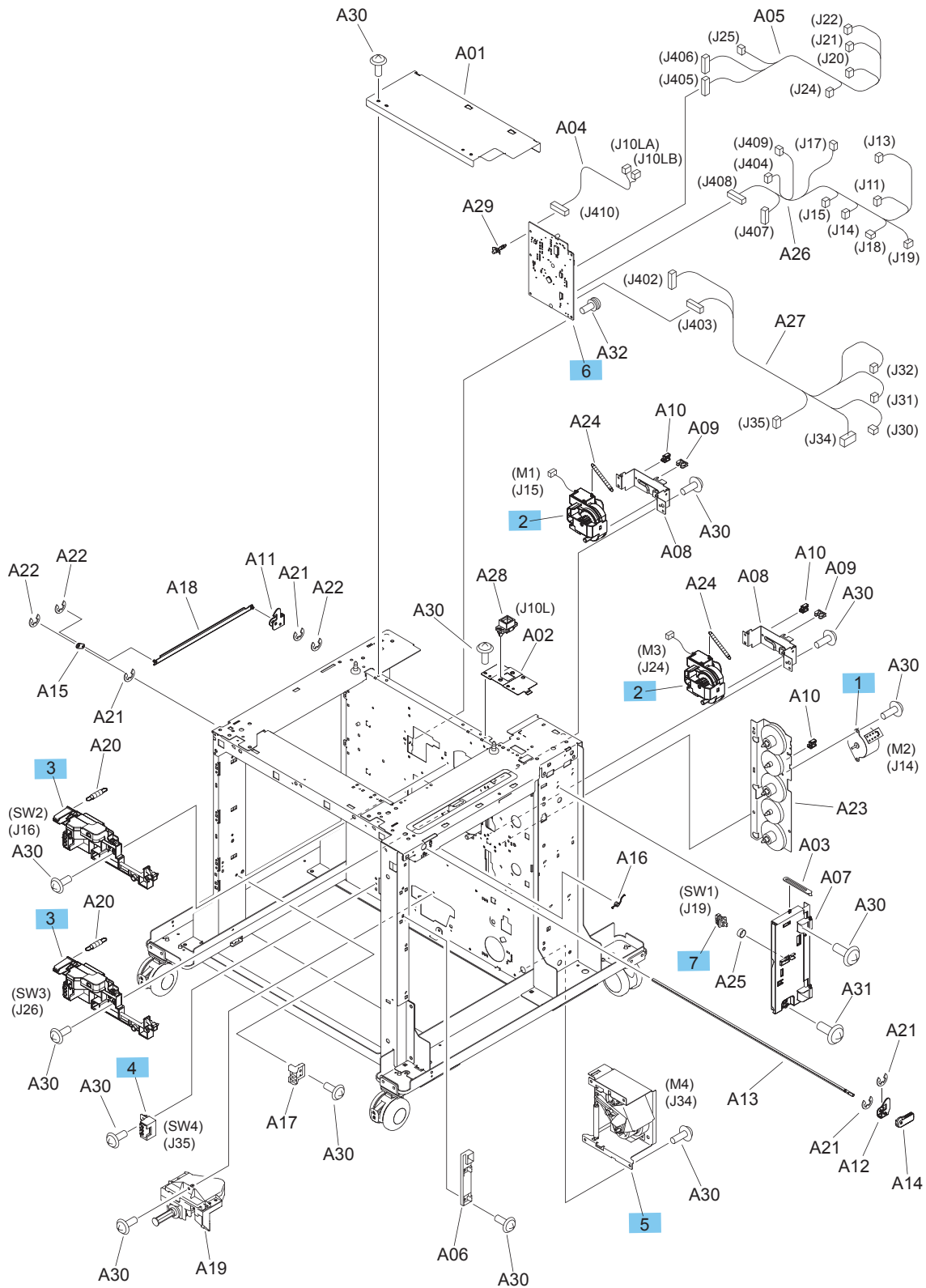


Table 2-29 2,500-sheet paper feeder HCI components (2 of 2)

Ref	Description	Part number	Qty
1	Motor, DC	RK2-5085-000CN	1
2	Assembly, lifter	RM1-5914-000CN	2
3	Assembly, lifter base	RM1-5913-000CN	2
4	Assembly, tray size sensor	RM2-0350-000CN	1
5	Assembly, lifter drive	RM2-0346-000CN	1
6	Assembly, HCI PCA	RM2-0371-000CN	1
7	Switch, push	WC2-5637-000CN	1

Stapling mailbox

Stapling mailbox covers

Figure 2-24 Stapling mailbox covers

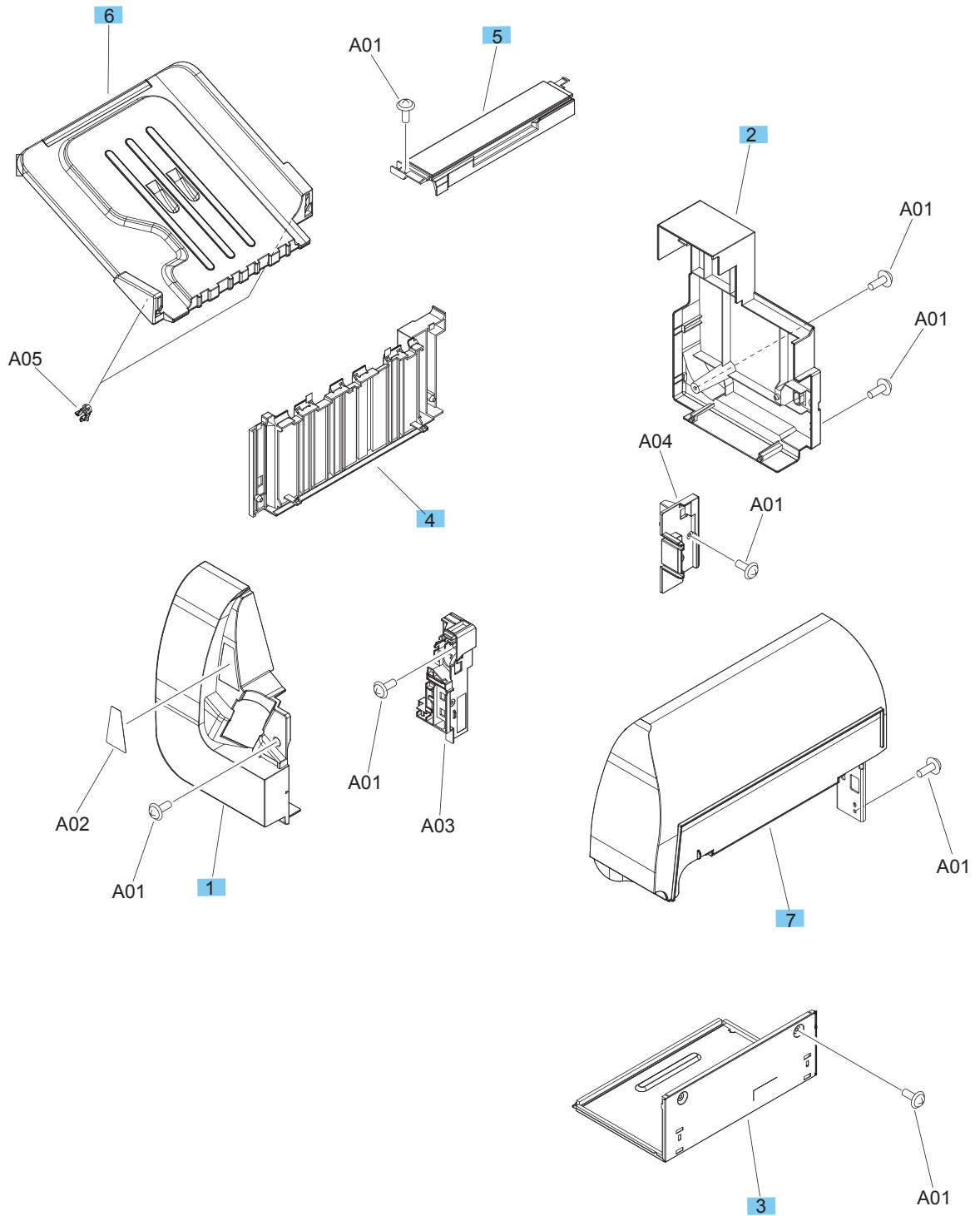


Table 2-30 Stapling mailbox covers

Ref	Description	Part number	Qty
1	Cover, front	RC4-1938-000CN	1
2	Cover, rear (stapling mailbox)	RC4-1939-000CN	1
3	Cover, bottom	RL1-2438-000CN	1
4	Panel, stacking	RL2-0501-000CN	1
5	Cover, top	RL2-0502-000CN	1
6	Assembly, output bin	RM2-5240-000CN	1
7	Assembly, top door	RM2-5237-000CN	1

Stapling mailbox assemblies (1 of 2)

Figure 2-25 Stapling mailbox assemblies (1 of 2)

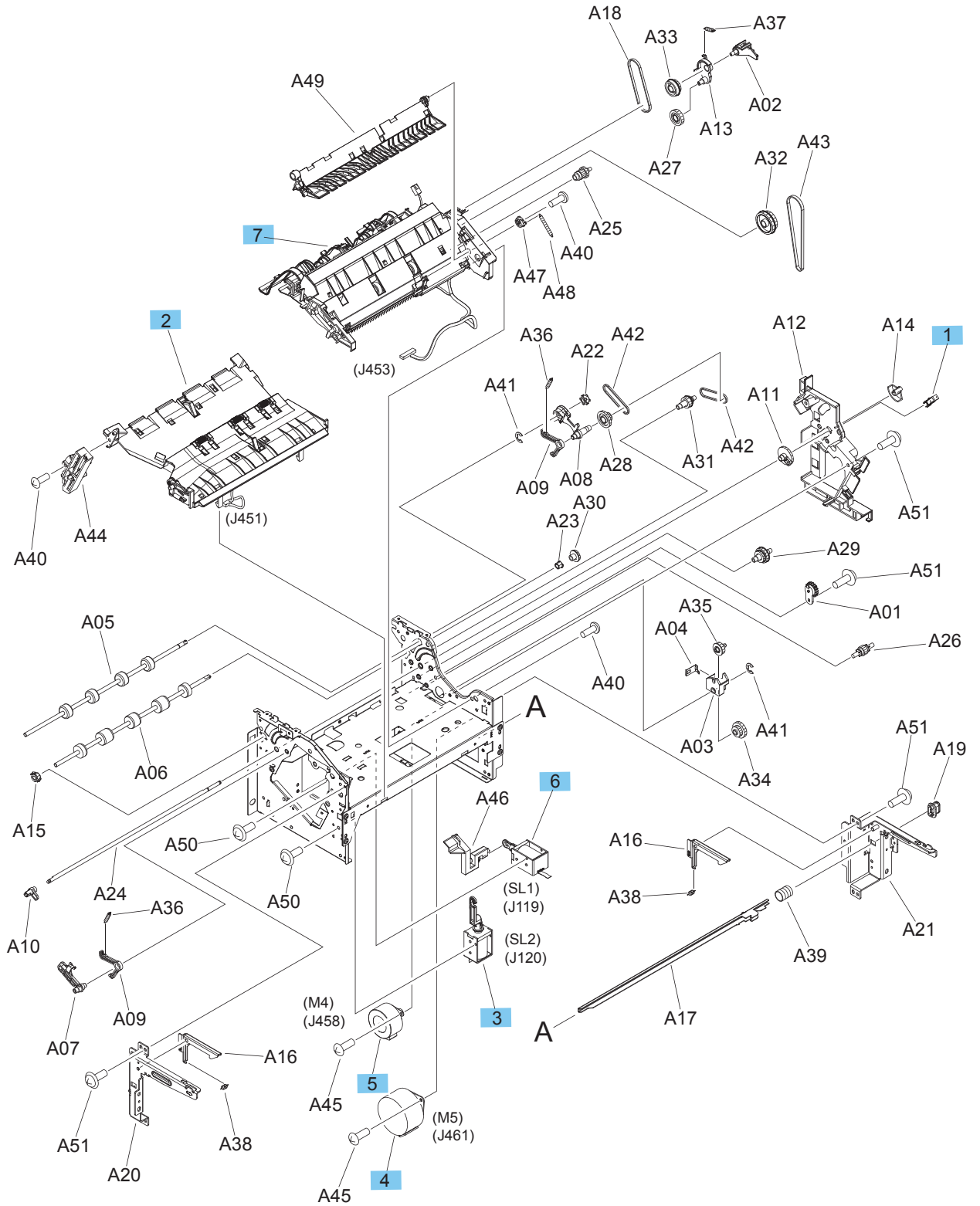


Table 2-31 Stapling mailbox assemblies (1 of 2)

Ref	Description	Part number	Qty
1	Photointerrupter	WG8-5935-000CN	1
2	Assembly, stage	RM1-5159-000CN	1
3	Assembly, entrance solenoid	RM1-6663-000CN	1
4	Motor, feed	RK2-2635-000CN	1
5	Motor, paddle	RK2-2637-000CN	1
6	Assembly, stamp solenoid	RM1-6664-000CN	1
7	Subassembly, stage top	RM1-7437-010CN	1

Stapling mailbox assemblies (2 of 2)

Figure 2-26 Stapling mailbox assemblies (2 of 2)

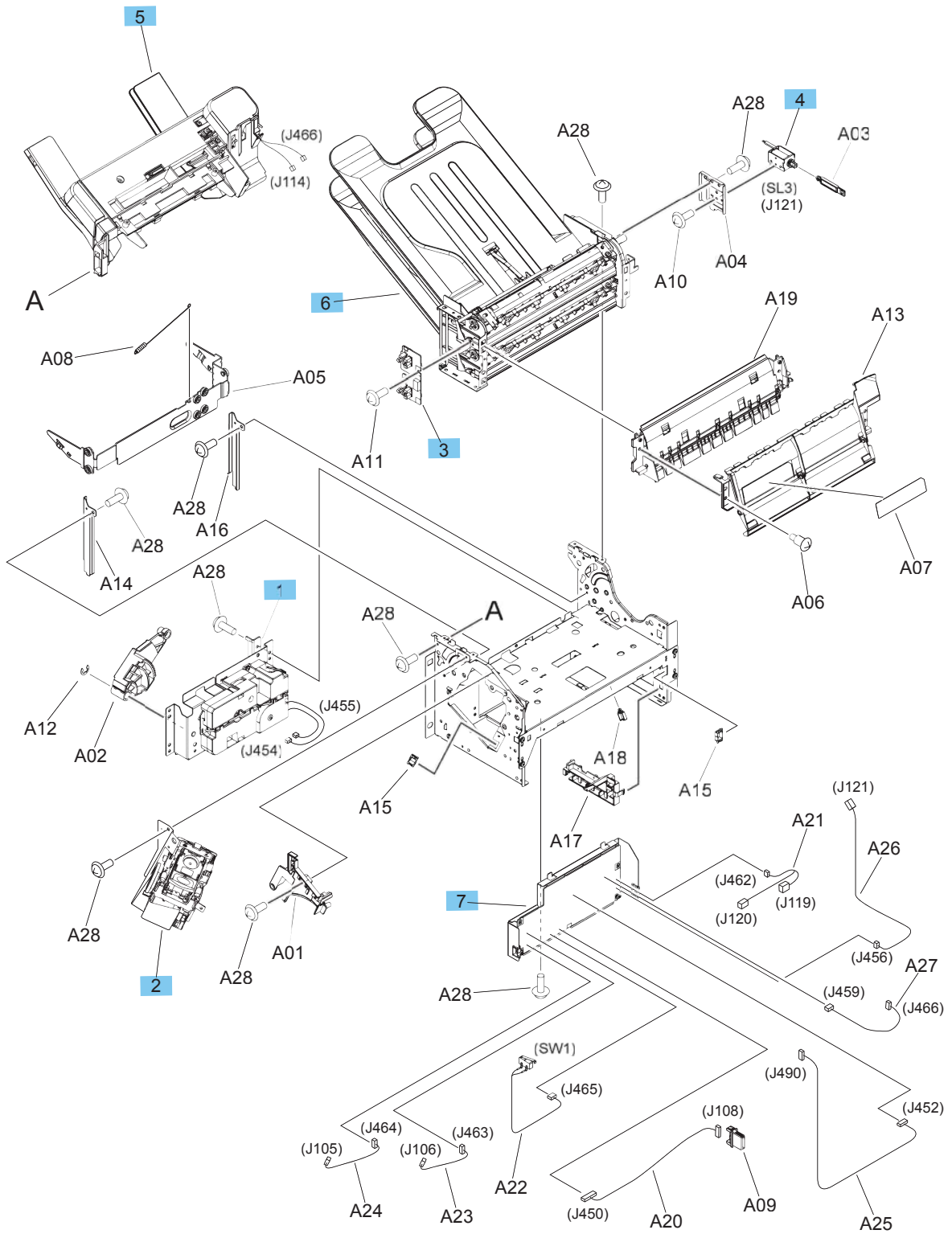


Table 2-32 Stapling mailbox assemblies (2 of 2)

Ref	Description	Part number	Qty
1	Assembly, output bin 3 bin drive	RM1-5156-000CN	1
2	Assembly, stapler	RM1-5166-000CN	1
3	Assembly, output bin sensor PCA	RM1-5894-000CN	1
4	Assembly, bin solenoid	RM1-5896-000CN	1
5	Assembly, jogger	RM2-5235-000CN	1
6	Assembly, output bin 3	RM2-5241-000CN	1
7	Assembly, output bin 3 driver PCA	RM2-5245-000CN	1

Alphabetical parts list

Table 2-33 Alphabetical parts list

Description	Part number	Table and page
Assembly, `high-voltage power supply PCA, upper	RM2-0462-000CN	Internal assemblies (6 of 6) on page 401
Assembly, bin solenoid	RM1-5896-000CN	Stapling mailbox assemblies (2 of 2) on page 421
Assembly, cartridge duct	RM1-5497-010CN	Internal assemblies (5 of 6) on page 399
Assembly, cartridge fan (M651)	RM2-0212-000CN	Internal assemblies (3 of 6) on page 395
Assembly, cartridge fan (M680)	RM2-0213-000CN	Internal assemblies (3 of 6) on page 395
Assembly, DC controller PCA	RM2-0498-000CN	Internal assemblies (6 of 6) on page 401
Assembly, duplexing drive (M680)	RM1-4973-000CN	Internal assemblies (5 of 6) on page 399
Assembly, duplexing-drive (M651)	RM1-5546-000CN	Internal assemblies (5 of 6) on page 399
Assembly, entrance solenoid	RM1-6663-000CN	Stapling mailbox assemblies (1 of 2) on page 419
Assembly, feeder PCA	RM2-0501-000CN	1x500-sheet paper feeder with cabinet components on page 409
Assembly, feeder PCA	RM2-0501-000CN	1x500-sheet paper feeder components on page 405
Assembly, flexible flat cable	RM2-0393-000CN	Internal assemblies (5 of 6) on page 399
Assembly, front door	RM2-0200-000CN	Covers (M651) on page 379
Assembly, front door	RM2-0200-000CN	Covers (M680) on page 381
Assembly, front inner cover lower	RM1-5598-000CN	Internal assemblies (2 of 6) on page 393
Assembly, front inner cover upper	RM2-0219-000CN	Internal assemblies (2 of 6) on page 393
Assembly, front upper cover	RM2-0364-000CN	1x500-sheet paper feeder with cabinet covers on page 407
Assembly, front upper cover	RM2-0364-000CN	1x500-sheet paper feeder covers on page 403
Assembly, front upper cover	RM2-0364-000CN	2,500-sheet paper feeder HCI covers on page 411
Assembly, fuser drive	RM1-5656-000CN	Internal assemblies (5 of 6) on page 399
Assembly, HCI PCA	RM2-0371-000CN	2,500-sheet paper feeder HCI components (2 of 2) on page 415

Table 2-33 Alphabetical parts list (continued)

Description	Part number	Table and page
Assembly, high-voltage power supply PCA, lower	RM2-0460-000CN	Internal assemblies (6 of 6) on page 401
Assembly, Hinge HR	B4A39-60011	Document feeder assemblies (M680, 1 of 2) on page 373
Assembly, inner connecting PCA (M651)	RM2-0221-000CN	Internal assemblies (6 of 6) on page 401
Assembly, inner connecting PCA (M680)	RM2-0220-000CN	Internal assemblies (6 of 6) on page 401
Assembly, intermediate cover	RM2-0206-000CN	Covers (M680) on page 381
Assembly, intermediate paper feed	RM2-0216-000CN	Internal assemblies (M680) on page 389
Assembly, IPTU driver PCA	RM2-0474-000CN	Internal assemblies (M680) on page 389
Assembly, IPTU inner cover	RL1-3976-000CN	Internal assemblies (M680) on page 389
Assembly, jogger	RM2-5235-000CN	Stapling mailbox assemblies (2 of 2) on page 421
Assembly, lifter base	RM1-5913-000CN	Internal assemblies (1 of 6) on page 391
Assembly, lifter base	RM1-5913-000CN	1x500-sheet paper feeder with cabinet components on page 409
Assembly, lifter base	RM1-5913-000CN	1x500-sheet paper feeder components on page 405
Assembly, lifter base	RM1-5913-000CN	2,500-sheet paper feeder HCI components (2 of 2) on page 415
Assembly, lifter drive	RM2-0346-000CN	2,500-sheet paper feeder HCI components (2 of 2) on page 415
Assembly, lifter	RM1-5914-000CN	1x500-sheet paper feeder with cabinet components on page 409
Assembly, lifter	RM1-5914-000CN	1x500-sheet paper feeder components on page 405
Assembly, lifter	RM1-5914-000CN	Internal assemblies (5 of 6) on page 399
Assembly, lifter	RM1-5914-000CN	2,500-sheet paper feeder HCI components (2 of 2) on page 415
Assembly, low-voltage power supply PCA 110-127V	RM2-0464-000CN	Internal assemblies (6 of 6) on page 401
Assembly, low-voltage power supply PCA 220-240V	RM2-0466-000CN	Internal assemblies (6 of 6) on page 401
Assembly, main switch	RM2-0386-000CN	Internal assemblies (3 of 6) on page 395

Table 2-33 Alphabetical parts list (continued)

Description	Part number	Table and page
Assembly, output bin 3 bin drive	RM1-5156-000CN	Stapling mailbox assemblies (2 of 2) on page 421
Assembly, output bin 3 driver PCA	RM2-5245-000CN	Stapling mailbox assemblies (2 of 2) on page 421
Assembly, output bin 3	RM2-5241-000CN	Stapling mailbox assemblies (2 of 2) on page 421
Assembly, output bin sensor PCA	RM1-5894-000CN	Stapling mailbox assemblies (2 of 2) on page 421
Assembly, output bin	RM2-5240-000CN	Stapling mailbox covers on page 417
Assembly, paper sensor PCA	RM1-5853-000CN	Internal assemblies (4 of 6) on page 397
Assembly, paper-delivery (M651)	RM2-0223-000CN	Internal assemblies (3 of 6) on page 395
Assembly, paper-delivery (M680)	RM1-5615-000CN	Internal assemblies (3 of 6) on page 395
Assembly, paper-delivery fan (M651)	RM1-5501-000CN	Internal assemblies (M651) on page 387
Assembly, paper-delivery fan (M680)	RK2-2575-000CN	Internal assemblies (M680) on page 389
Assembly, paper-pickup (1x500-sheet paper feeder with cabinet)	RM2-0341-000CN	1x500-sheet paper feeder with cabinet components on page 409
Assembly, paper-pickup (1x500-sheet paper feeder)	RM2-0341-000CN	1x500-sheet paper feeder components on page 405
Assembly, paper-pickup (2,500-sheet paper feeder HCI)	RM2-0341-000CN	2,500-sheet paper feeder HCI components (1 of 2) on page 413
Assembly, paper-pickup drive	RM2-0385-000CN	Internal assemblies (5 of 6) on page 399
Assembly, paper-pickup	RM1-5919-000CN	Internal assemblies (4 of 6) on page 397
Assembly, position detect	RM1-5604-000CN	Internal assemblies (3 of 6) on page 395
Assembly, rear pre-exposure	RM2-0500-000CN	Internal assemblies (3 of 6) on page 395
Assembly, registration density (RD) sensor	RM1-5641-000CN	Internal assemblies (4 of 6) on page 397
Assembly, residual-toner transfer	RM2-0399-000CN	Internal assemblies (2 of 6) on page 393
Assembly, residual-toner-feed motor	RM1-5605-010CN	Internal assemblies (3 of 6) on page 395
Assembly, right door	RM2-0208-000CN	Right door on page 383

Table 2-33 Alphabetical parts list (continued)

Description	Part number	Table and page
Assembly, right door (1x500-sheet paper feeder with cabinet)	RM2-0368-000CN	1x500-sheet paper feeder with cabinet covers on page 407
Assembly, right door (2,500-sheet paper feeder HCI)	RM2-0362-000CN	2,500-sheet paper feeder HCI covers on page 411
Assembly, right handle cover	RM2-0210-000CN	Covers (M651) on page 379
Assembly, right handle cover	RM2-0210-000CN	Covers (M680) on page 381
Assembly, scissors hinge, left	RM1-5616-000	Internal assemblies (M680) on page 389
Assembly, scissors hinge, right	RM2-5771-000CN	Internal assemblies (M680) on page 389
Assembly, secondary transfer	RM1-5564-040CN	Internal assemblies (4 of 6) on page 397
Assembly, shutter	RM1-5488-000CN	Internal assemblies (1 of 6) on page 391
Assembly, shutter	RM1-5489-000CN	Internal assemblies (1 of 6) on page 391
Assembly, stage	RM1-5159-000CN	Stapling mailbox assemblies (1 of 2) on page 419
Assembly, stamp solenoid	RM1-6664-000CN	Stapling mailbox assemblies (1 of 2) on page 419
Assembly, stapler	RM1-5166-000CN	Stapling mailbox assemblies (2 of 2) on page 421
Assembly, stock box door	RM2-0369-000CN	1x500-sheet paper feeder with cabinet covers on page 407
Assembly, switch button	RM2-0402-000CN	Covers (M651) on page 379
Assembly, switch button	RM2-0402-000CN	Covers (M680) on page 381
Assembly, tag holder	RM1-5638-000CN	Internal assemblies (5 of 6) on page 399
Assembly, toner remain PCA	RM1-5771-000CN	Internal assemblies (1 of 6) on page 391
Assembly, top door	RM2-5237-000CN	Stapling mailbox covers on page 417
Assembly, tray	RM2-0351-000CN	2,500-sheet paper feeder HCI components (1 of 2) on page 413
Assembly, tray size sensor	RM2-0350-000CN	2,500-sheet paper feeder HCI components (2 of 2) on page 415
Bezel, output bin (M680)	CZ248-67912	Covers (M680) on page 381
Bin, standard output	RM2-0214-000CN	Covers (M680) on page 381
Cable, flexible flat	RK2-5070-000CN	Internal assemblies (6 of 6) on page 401
Cable, flexible flat, H.V.T.	RK2-5072-000CN	Internal assemblies (6 of 6) on page 401

Table 2-33 Alphabetical parts list (continued)

Description	Part number	Table and page
Cable, USB, IS	RK2-5077-000CN	Internal assemblies (M651) on page 387
Cable, USB, SH	RK2-5078-000CN	Internal assemblies (M651) on page 387
Cover, bottom	RL1-2438-000CN	Stapling mailbox covers on page 417
Cover, control panel access (M680)	5042-9118	Document feeder and scanner assemblies (M680) on page 371
Cover, document-feeder roller (M680)	CC355-40013	Document feeder assemblies (M680, 2 of 2) on page 375
Cover, face-down, left	RC3-5555-000CN	Covers (M651) on page 379
Cover, face-down, rear	RC3-5556-000CN	Covers (M651) on page 379
Cover, fan (M680)	RC3-5593-000CN	Covers (M680) on page 381
Cover, front face-down	RM2-0392-000CN	Covers (M651) on page 379
Cover, front lower	RC3-5514-000CN	1x500-sheet paper feeder with cabinet covers on page 407
Cover, front lower left	RC3-5536-000CN	2,500-sheet paper feeder HCI covers on page 411
Cover, front lower right	RC3-5535-000CN	2,500-sheet paper feeder HCI covers on page 411
Cover, front	RC4-1938-000CN	Stapling mailbox covers on page 417
Cover, handle, left	RC3-5531-000CN	1x500-sheet paper feeder covers on page 403
Cover, handle, right	RC3-5533-000CN	1x500-sheet paper feeder covers on page 403
Cover, HIP (M651)	RC3-3948-000CN	Covers (M651) on page 379
Cover, HIP (M680)	5851-5361	Document feeder and scanner assemblies (M680) on page 371
Cover, inner	RM1-5520-000CN	Covers (M651) on page 379
Cover, inner	RM1-5520-000CN	Covers (M680) on page 381
Cover, left	RC3-5629-000CN	Covers (M680) on page 381
Cover, left (1x500-sheet paper feeder with cabinet)	RC3-5499-000CN	1x500-sheet paper feeder with cabinet covers on page 407
Cover, left (1x500-sheet paper feeder)	RC3-5530-000CN	1x500-sheet paper feeder covers on page 403
Cover, left (2,500-sheet paper feeder HCI)	RC3-5499-000CN	2,500-sheet paper feeder HCI covers on page 411
Cover, left lower	RC3-5515-000CN	1x500-sheet paper feeder with cabinet covers on page 407

Table 2-33 Alphabetical parts list (continued)

Description	Part number	Table and page
Cover, left lower	RC3-5515-000CN	2,500-sheet paper feeder HCI covers on page 411
Cover, left rear	RC3-5632-000CN	Covers (M651) on page 379
Cover, left rear	RC3-5632-000CN	Covers (M680) on page 381
Cover, left	RC3-5629-000CN	Covers (M651) on page 379
Cover, M.R. crossmember	RC2-4747-000CN	Right door on page 383
Cover, rear (1x500-sheet paper feeder with cabinet)	RC3-5524-000CN	1x500-sheet paper feeder with cabinet covers on page 407
Cover, rear (1x500-sheet paper feeder)	RC3-5534-000CN	1x500-sheet paper feeder covers on page 403
Cover, rear (2,500-sheet paper feeder HCI)	RC3-5524-000CN	2,500-sheet paper feeder HCI covers on page 411
Cover, rear (M651)	RM2-0202-000CN	Covers (M651) on page 379
Cover, rear (M680)	RM2-0205-000CN	Covers (M680) on page 381
Cover, rear (stapling mailbox)	RC4-1939-000CN	Stapling mailbox covers on page 417
Cover, rear lower	RC3-5523-000CN	1x500-sheet paper feeder with cabinet covers on page 407
Cover, rear lower	RC3-5523-000CN	2,500-sheet paper feeder HCI covers on page 411
Cover, right center	RC3-5527-000CN	1x500-sheet paper feeder with cabinet covers on page 407
Cover, right center	RC3-5527-000CN	2,500-sheet paper feeder HCI covers on page 411
Cover, right front (1x500-sheet paper feeder with cabinet)	RC3-5520-000CN	1x500-sheet paper feeder with cabinet covers on page 407
Cover, right front (1x500-sheet paper feeder)	RC3-5522-000CN	1x500-sheet paper feeder covers on page 403
Cover, right front (2,500-sheet paper feeder HCI)	RC3-5521-000CN	2,500-sheet paper feeder HCI covers on page 411
Cover, right front, upper (M651)	RC3-5550-000CN	Covers (M651) on page 379
Cover, right front, upper (M680)	RC3-5582-000CN	Covers (M680) on page 381
Cover, right front	RC3-5551-000CN	Covers (M651) on page 379
Cover, right front	RC3-5551-000CN	Covers (M680) on page 381
Cover, right lower	RC3-5526-000CN	1x500-sheet paper feeder with cabinet covers on page 407
Cover, right lower	RC3-5526-000CN	2,500-sheet paper feeder HCI covers on page 411
Cover, right rear (1x500-sheet paper feeder with cabinet)	RC3-5525-000CN	1x500-sheet paper feeder with cabinet covers on page 407

Table 2-33 Alphabetical parts list (continued)

Description	Part number	Table and page
Cover, right rear (2,500-sheet paper feeder HCI)	RC3-5525-000CN	2,500-sheet paper feeder HCI covers on page 411
Cover, right rear	RC3-5628-000CN	Covers (M651) on page 379
Cover, right rear	RC3-5628-000CN	Covers (M680) on page 381
Cover, right	RC3-5532-000CN	1x500-sheet paper feeder covers on page 403
Cover, roller	RC3-5630-000CN	Internal assemblies (4 of 6) on page 397
Cover, top	RL2-0502-000CN	Stapling mailbox covers on page 417
Cover, upper left	RC3-5627-000	Covers (M651) on page 379
Cover, upper	RC3-5553-000CN	Covers (M651) on page 379
Cover, USB	5851-5136	Covers (M651) on page 379
Cover, USB (M680)	5851-5360	Document feeder and scanner assemblies (M680) on page 371
Fan, power-supply	RK2-2577-000CN	Internal assemblies (6 of 6) on page 401
Grip, left front	RC3-5625-000CN	Covers (M651) on page 379
Grip, left front	RC3-5625-000CN	Covers (M680) on page 381
Grip, left rear	RC3-5626-000CN	Covers (M651) on page 379
Grip, left rear	RC3-5626-000CN	Covers (M680) on page 381
Guide, cable	RC2-4468-000CN	Internal assemblies (5 of 6) on page 399
Kit, ADF roller maintenance (M680) (includes roller and separation pad)	L2725-60002	Document feeder assemblies (M680, 2 of 2) on page 375
Kit, ADF separation pad spring (M680)	5851-4879	Document feeder assemblies (M680, 2 of 2) on page 375
Kit, ADF white backing (M680)	5851-6084	Document feeder assemblies (M680, 1 of 2) on page 373
Kit, background selector for backside scan (M680)	5851-5022	Document feeder assemblies (M680, 2 of 2) on page 375
Kit, control panel (M651)	5851-5950	Control panels on page 385
Kit, control panel (without keyboard) (M680)	5851-5952	Control panels on page 385
Kit, document feeder mylar strips (M680)	5851-4998	Document feeder assemblies (M680, 2 of 2) on page 375
Kit, document feeder, complete with white backing (M680) ¹	CZ248-67916	Document feeder and scanner assemblies (M680) on page 371
Kit, formatter replacement (China only; M651)	CZ255-67902	Internal assemblies (6 of 6) on page 401

Table 2-33 Alphabetical parts list (continued)

Description	Part number	Table and page
Kit, formatter replacement (China only; M680)	CZ248-67906	Internal assemblies (6 of 6) on page 401
Kit, formatter replacement (M651)	CZ255-67901	Internal assemblies (6 of 6) on page 401
Kit, formatter replacement (M680)	CZ248-67901	Internal assemblies (6 of 6) on page 401
Kit, fuser replacement, 110V	CC493-67911	Internal assemblies (3 of 6) on page 395
Kit, fuser replacement, 220V	CC493-67912	Internal assemblies (3 of 6) on page 395
Kit, image scanner assembly, complete with white backing (M680) ²	CZ248-67915	Document feeder and scanner assemblies (M680) on page 371
Kit, intermediate transfer belt (includes secondary transfer roller)	CC493-67909	Internal assemblies (3 of 6) on page 395
Kit, laser scanner assembly	CZ248-67913	Internal assemblies (3 of 6) on page 395
Kit, main drive assembly	CC493-67915	Internal assemblies (5 of 6) on page 399
Kit, registration assembly	CZ255-67904	Internal assemblies (4 of 6) on page 397
Kit, scanner control board fan assembly (M680)	5851-6083	Scan control board (SCB; M680) on page 377
Kit, secondary transfer (T2) roller	CC493-67908	Internal assemblies (4 of 6) on page 397
Kit, toner collection unit	CC493-67913	Internal assemblies (2 of 6) on page 393
Kit, Tray 1 roller	CC493-67906	Right door on page 383
Kit, U.K. English keyboard (M680)	5851-5008	Control panels on page 385
Kit, U.S. English keyboard (M680)	5851-5380	Control panels on page 385
Motor, DC	RK2-5085-000CN	1x500-sheet paper feeder with cabinet components on page 409
Motor, DC	RK2-5085-000CN	1x500-sheet paper feeder components on page 405
Motor, DC	RK2-5085-000CN	2,500-sheet paper feeder HCI components (2 of 2) on page 415
Motor, developing disengagement	RK2-2415-000CN	Internal assemblies (5 of 6) on page 399
Motor, feed	RK2-2635-000CN	Stapling mailbox assemblies (1 of 2) on page 419
Motor, fuser	RM1-4983-000CN	Internal assemblies (5 of 6) on page 399

Table 2-33 Alphabetical parts list (continued)

Description	Part number	Table and page
Motor, ITB	RM1-5777-000CN	Internal assemblies (5 of 6) on page 399
Motor, main DC	RM1-5521-010CN	Internal assemblies (5 of 6) on page 399
Motor, paddle	RK2-2637-000CN	Stapling mailbox assemblies (1 of 2) on page 419
Motor, pickup	RK2-5053-000CN	Internal assemblies (5 of 6) on page 399
Pad, Tray 1 separation	RL1-1937-000CN	Right door on page 383
Panel, stacking	RL2-0501-000CN	Stapling mailbox covers on page 417
Photointerrupter	WG8-5935-000CN	Internal assemblies (M651) on page 387
Photointerrupter	WG8-5935-000CN	Internal assemblies (2 of 6) on page 393
Photointerrupter	WG8-5935-000CN	Internal assemblies (3 of 6) on page 395
Photointerrupter	WG8-5935-000CN	Stapling mailbox assemblies (1 of 2) on page 419
Roller, paper feed/separation (part of Tray 2-5 feed/separation roller kit)	CC493-67907	1x500-sheet paper feeder with cabinet components on page 409
Roller, paper feed/separation (part of Tray 2-5 feed/separation roller kit)	CC493-67907	1x500-sheet paper feeder components on page 405
Roller, paper feed/separation (part of Tray 2-5 feed/separation roller kit)	CC493-67907	2,500-sheet paper feeder HCl components (1 of 2) on page 413
Roller, paper feed/separation (part of Tray 2-5 feed/separation roller kit)	CC493-67907	Internal assemblies (4 of 6) on page 397
Roller, paper pickup	RL1-2099-000CN	Internal assemblies (4 of 6) on page 397
Roller, paper pickup	RL1-2099-000CN	1x500-sheet paper feeder components on page 405
Roller, paper pickup	RL1-2099-000CN	1x500-sheet paper feeder with cabinet components on page 409
Roller, paper pickup	RL1-2099-000CN	2,500-sheet paper feeder HCl components (1 of 2) on page 413
Scanner control board (M680)	CZ248-67914	Scan control board (SCB; M680) on page 377
Screw, D, M3x8	XA9-1671-000CN	Covers (M651) on page 379
Screw, D, M3x8	XA9-1671-000CN	Covers (M680) on page 381

Table 2-33 Alphabetical parts list (continued)

Description	Part number	Table and page
Screw, stepped	XA9-1671-000CN	Covers (M651) on page 379
Screw, stepped	XA9-1671-000CN	Covers (M680) on page 381
Sensor, residual toner full	RM2-0397-000CN	Internal assemblies (2 of 6) on page 393
Shaft, support	RC2-4162-000CN	Internal assemblies (4 of 6) on page 397
Subassembly, stage top	RM1-7437-010CN	Stapling mailbox assemblies (1 of 2) on page 419
Switch	WC4-5303-000CN	Internal assemblies (2 of 6) on page 393
Switch, push	WC2-5637-000CN	Internal assemblies (2 of 6) on page 393
Switch, push	WC2-5637-000CN	Internal assemblies (6 of 6) on page 401
Switch, push	WC2-5637-000CN	2,500-sheet paper feeder HCI components (2 of 2) on page 415
Tray, face-down	RC3-5631-000CN	Covers (M651) on page 379
Tray	RM2-0340-000CN	1x500-sheet paper feeder with cabinet components on page 409
Tray	RM2-0340-000CN	2,500-sheet paper feeder HCI components (1 of 2) on page 413
Tray	RM2-0340-000CN	1x500-sheet paper feeder components on page 405
Tray	RM2-0340-000CN	Internal assemblies (2 of 6) on page 393

Numerical parts list

Table 2-34 Numerical parts list

Part number	Description	Table and page
5042-9118	Cover, control panel access (M680)	Document feeder and scanner assemblies (M680) on page 371
5851-4879	Kit, ADF separation pad spring (M680)	Document feeder assemblies (M680, 2 of 2) on page 375
5851-4998	Kit, document feeder mylar strips (M680)	Document feeder assemblies (M680, 2 of 2) on page 375
5851-5008	Kit, U.K. English keyboard (M680)	Control panels on page 385
5851-5022	Kit, background selector for backside scan (M680)	Document feeder assemblies (M680, 2 of 2) on page 375
5851-5136	Cover, USB	Covers (M651) on page 379
5851-5360	Cover, USB (M680)	Document feeder and scanner assemblies (M680) on page 371
5851-5361	Cover, HIP (M680)	Document feeder and scanner assemblies (M680) on page 371
5851-5380	Kit, U.S. English keyboard (M680)	Control panels on page 385
5851-5950	Kit, control panel (M651)	Control panels on page 385
5851-5952	Kit, control panel (without keyboard) (M680)	Control panels on page 385
5851-6083	Kit, scanner control board fan assembly (M680)	Scan control board (SCB; M680) on page 377
5851-6084	Kit, ADF white backing (M680)	Document feeder assemblies (M680, 1 of 2) on page 373
B4A39-60011	Assembly, Hinge HR	Document feeder assemblies (M680, 1 of 2) on page 373
CC355-40013	Cover, document-feeder roller (M680)	Document feeder assemblies (M680, 2 of 2) on page 375
CC493-67906	Kit, Tray 1 roller	Right door on page 383
CC493-67907	Roller, paper feed/separation (part of Tray 2-5 feed/separation roller kit)	Internal assemblies (4 of 6) on page 397
CC493-67907	Roller, paper feed/separation (part of Tray 2-5 feed/separation roller kit)	1x500-sheet paper feeder components on page 405
CC493-67907	Roller, paper feed/separation (part of Tray 2-5 feed/separation roller kit)	1x500-sheet paper feeder with cabinet components on page 409
CC493-67907	Roller, paper feed/separation (part of Tray 2-5 feed/separation roller kit)	2,500-sheet paper feeder HCL components (1 of 2) on page 413
CC493-67908	Kit, secondary transfer (T2) roller	Internal assemblies (4 of 6) on page 397

Table 2-34 Numerical parts list (continued)

Part number	Description	Table and page
CC493-67909	Kit, intermediate transfer belt (includes secondary transfer roller)	Internal assemblies (3 of 6) on page 395
CC493-67911	Kit, fuser replacement, 110V	Internal assemblies (3 of 6) on page 395
CC493-67912	Kit, fuser replacement, 220V	Internal assemblies (3 of 6) on page 395
CC493-67913	Kit, toner collection unit	Internal assemblies (2 of 6) on page 393
CC493-67915	Kit, main drive assembly	Internal assemblies (5 of 6) on page 399
CZ248-67901	Kit, formatter replacement (M680)	Internal assemblies (6 of 6) on page 401
CZ248-67906	Kit, formatter replacement (China only; M680)	Internal assemblies (6 of 6) on page 401
CZ248-67912	Bezel, output bin (M680)	Covers (M680) on page 381
CZ248-67913	Kit, laser scanner assembly	Internal assemblies (3 of 6) on page 395
CZ248-67914	Scanner control board (M680)	Scan control board (SCB; M680) on page 377
CZ248-67915	Kit, image scanner assembly, complete with white backing (M680) ²	Document feeder and scanner assemblies (M680) on page 371
CZ248-67916	Kit, document feeder, complete with white backing (M680) ¹	Document feeder and scanner assemblies (M680) on page 371
CZ255-67901	Kit, formatter replacement (M651)	Internal assemblies (6 of 6) on page 401
CZ255-67902	Kit, formatter replacement (China only; M651)	Internal assemblies (6 of 6) on page 401
CZ255-67904	Kit, registration assembly	Internal assemblies (4 of 6) on page 397
L2725-60002	Kit, ADF roller maintenance (M680) (includes roller and separation pad)	Document feeder assemblies (M680, 2 of 2) on page 375
RC2-4162-000CN	Shaft, support	Internal assemblies (4 of 6) on page 397
RC2-4468-000CN	Guide, cable	Internal assemblies (5 of 6) on page 399
RC2-4747-000CN	Cover, M.R. crossmember	Right door on page 383
RC3-3948-000CN	Cover, HIP (M651)	Covers (M651) on page 379
RC3-5499-000CN	Cover, left (1x500-sheet paper feeder with cabinet)	1x500-sheet paper feeder with cabinet covers on page 407
RC3-5499-000CN	Cover, left (2,500-sheet paper feeder HCI)	2,500-sheet paper feeder HCI covers on page 411

Table 2-34 Numerical parts list (continued)

Part number	Description	Table and page
RC3-5514-000CN	Cover, front lower	1x500-sheet paper feeder with cabinet covers on page 407
RC3-5515-000CN	Cover, left lower	1x500-sheet paper feeder with cabinet covers on page 407
RC3-5515-000CN	Cover, left lower	2,500-sheet paper feeder HCI covers on page 411
RC3-5520-000CN	Cover, right front (1x500-sheet paper feeder with cabinet)	1x500-sheet paper feeder with cabinet covers on page 407
RC3-5521-000CN	Cover, right front (2,500-sheet paper feeder HCI)	2,500-sheet paper feeder HCI covers on page 411
RC3-5522-000CN	Cover, right front (1x500-sheet paper feeder)	1x500-sheet paper feeder covers on page 403
RC3-5523-000CN	Cover, rear lower	1x500-sheet paper feeder with cabinet covers on page 407
RC3-5523-000CN	Cover, rear lower	2,500-sheet paper feeder HCI covers on page 411
RC3-5524-000CN	Cover, rear (1x500-sheet paper feeder with cabinet)	1x500-sheet paper feeder with cabinet covers on page 407
RC3-5524-000CN	Cover, rear (2,500-sheet paper feeder HCI)	2,500-sheet paper feeder HCI covers on page 411
RC3-5525-000CN	Cover, right rear (1x500-sheet paper feeder with cabinet)	1x500-sheet paper feeder with cabinet covers on page 407
RC3-5525-000CN	Cover, right rear (2,500-sheet paper feeder HCI)	2,500-sheet paper feeder HCI covers on page 411
RC3-5526-000CN	Cover, right lower	1x500-sheet paper feeder with cabinet covers on page 407
RC3-5526-000CN	Cover, right lower	2,500-sheet paper feeder HCI covers on page 411
RC3-5527-000CN	Cover, right center	1x500-sheet paper feeder with cabinet covers on page 407
RC3-5527-000CN	Cover, right center	2,500-sheet paper feeder HCI covers on page 411
RC3-5530-000CN	Cover, left (1x500-sheet paper feeder)	1x500-sheet paper feeder covers on page 403
RC3-5531-000CN	Cover, handle, left	1x500-sheet paper feeder covers on page 403
RC3-5532-000CN	Cover, right	1x500-sheet paper feeder covers on page 403
RC3-5533-000CN	Cover, handle, right	1x500-sheet paper feeder covers on page 403
RC3-5534-000CN	Cover, rear (1x500-sheet paper feeder)	1x500-sheet paper feeder covers on page 403

Table 2-34 Numerical parts list (continued)

Part number	Description	Table and page
RC3-5535-000CN	Cover, front lower right	2,500-sheet paper feeder HCI covers on page 411
RC3-5536-000CN	Cover, front lower left	2,500-sheet paper feeder HCI covers on page 411
RC3-5550-000CN	Cover, right front, upper (M651)	Covers (M651) on page 379
RC3-5551-000CN	Cover, right front	Covers (M651) on page 379
RC3-5551-000CN	Cover, right front	Covers (M680) on page 381
RC3-5553-000CN	Cover, upper	Covers (M651) on page 379
RC3-5555-000CN	Cover, face-down, left	Covers (M651) on page 379
RC3-5556-000CN	Cover, face-down, rear	Covers (M651) on page 379
RC3-5582-000CN	Cover, right front, upper (M680)	Covers (M680) on page 381
RC3-5593-000CN	Cover, fan (M680)	Covers (M680) on page 381
RC3-5625-000CN	Grip, left front	Covers (M651) on page 379
RC3-5625-000CN	Grip, left front	Covers (M680) on page 381
RC3-5626-000CN	Grip, left rear	Covers (M651) on page 379
RC3-5626-000CN	Grip, left rear	Covers (M680) on page 381
RC3-5627-000	Cover, upper left	Covers (M651) on page 379
RC3-5628-000CN	Cover, right rear	Covers (M651) on page 379
RC3-5628-000CN	Cover, right rear	Covers (M680) on page 381
RC3-5629-000CN	Cover, left	Covers (M651) on page 379
RC3-5629-000CN	Cover, left	Covers (M680) on page 381
RC3-5630-000CN	Cover, roller	Internal assemblies (4 of 6) on page 397
RC3-5631-000CN	Tray, face-down	Covers (M651) on page 379
RC3-5632-000CN	Cover, left rear	Covers (M651) on page 379
RC3-5632-000CN	Cover, left rear	Covers (M680) on page 381
RC4-1938-000CN	Cover, front	Stapling mailbox covers on page 417
RC4-1939-000CN	Cover, rear (stapling mailbox)	Stapling mailbox covers on page 417
RK2-2415-000CN	Motor, developing disengagement	Internal assemblies (5 of 6) on page 399
RK2-2575-000CN	Assembly, paper-delivery fan (M680)	Internal assemblies (M680) on page 389
RK2-2577-000CN	Fan, power-supply	Internal assemblies (6 of 6) on page 401

Table 2-34 Numerical parts list (continued)

Part number	Description	Table and page
RK2-2635-000CN	Motor, feed	Stapling mailbox assemblies (1 of 2) on page 419
RK2-2637-000CN	Motor, paddle	Stapling mailbox assemblies (1 of 2) on page 419
RK2-5053-000CN	Motor, pickup	Internal assemblies (5 of 6) on page 399
RK2-5070-000CN	Cable, flexible flat	Internal assemblies (6 of 6) on page 401
RK2-5072-000CN	Cable, flexible flat, H.V.T.	Internal assemblies (6 of 6) on page 401
RK2-5077-000CN	Cable, USB, IS	Internal assemblies (M651) on page 387
RK2-5078-000CN	Cable, USB, SH	Internal assemblies (M651) on page 387
RK2-5085-000CN	Motor, DC	1x500-sheet paper feeder components on page 405
RK2-5085-000CN	Motor, DC	1x500-sheet paper feeder with cabinet components on page 409
RK2-5085-000CN	Motor, DC	2,500-sheet paper feeder HCl components (2 of 2) on page 415
RL1-1937-000CN	Pad, Tray 1 separation	Right door on page 383
RL1-2099-000CN	Roller, paper pickup	Internal assemblies (4 of 6) on page 397
RL1-2099-000CN	Roller, paper pickup	1x500-sheet paper feeder components on page 405
RL1-2099-000CN	Roller, paper pickup	1x500-sheet paper feeder with cabinet components on page 409
RL1-2099-000CN	Roller, paper pickup	2,500-sheet paper feeder HCl components (1 of 2) on page 413
RL1-2438-000CN	Cover, bottom	Stapling mailbox covers on page 417
RL1-3976-000CN	Assembly, IPTU inner cover	Internal assemblies (M680) on page 389
RL2-0501-000CN	Panel, stacking	Stapling mailbox covers on page 417
RL2-0502-000CN	Cover, top	Stapling mailbox covers on page 417
RM1-4973-000CN	Assembly, duplexing drive (M680)	Internal assemblies (5 of 6) on page 399
RM1-4983-000CN	Motor, fuser	Internal assemblies (5 of 6) on page 399

Table 2-34 Numerical parts list (continued)

Part number	Description	Table and page
RM1-5156-000CN	Assembly, output bin 3 bin drive	Stapling mailbox assemblies (2 of 2) on page 421
RM1-5159-000CN	Assembly, stage	Stapling mailbox assemblies (1 of 2) on page 419
RM1-5166-000CN	Assembly, stapler	Stapling mailbox assemblies (2 of 2) on page 421
RM1-5488-000CN	Assembly, shutter	Internal assemblies (1 of 6) on page 391
RM1-5489-000CN	Assembly, shutter	Internal assemblies (1 of 6) on page 391
RM1-5497-010CN	Assembly, cartridge duct	Internal assemblies (5 of 6) on page 399
RM1-5501-000CN	Assembly, paper-delivery fan (M651)	Internal assemblies (M651) on page 387
RM1-5520-000CN	Cover, inner	Covers (M651) on page 379
RM1-5520-000CN	Cover, inner	Covers (M680) on page 381
RM1-5521-010CN	Motor, main DC	Internal assemblies (5 of 6) on page 399
RM1-5546-000CN	Assembly, duplexing-drive (M651)	Internal assemblies (5 of 6) on page 399
RM1-5564-040CN	Assembly, secondary transfer	Internal assemblies (4 of 6) on page 397
RM1-5598-000CN	Assembly, front inner cover lower	Internal assemblies (2 of 6) on page 393
RM1-5604-000CN	Assembly, position detect	Internal assemblies (3 of 6) on page 395
RM1-5605-010CN	Assembly, residual-toner-feed motor	Internal assemblies (3 of 6) on page 395
RM1-5615-000CN	Assembly, paper-delivery (M680)	Internal assemblies (3 of 6) on page 395
RM1-5616-000	Assembly, scissors hinge, left	Internal assemblies (M680) on page 389
RM1-5638-000CN	Assembly, tag holder	Internal assemblies (5 of 6) on page 399
RM1-5641-000CN	Assembly, registration density (RD) sensor	Internal assemblies (4 of 6) on page 397
RM1-5656-000CN	Assembly, fuser drive	Internal assemblies (5 of 6) on page 399
RM1-5771-000CN	Assembly, toner remain PCA	Internal assemblies (1 of 6) on page 391
RM1-5777-000CN	Motor, ITB	Internal assemblies (5 of 6) on page 399

Table 2-34 Numerical parts list (continued)

Part number	Description	Table and page
RM1-5853-000CN	Assembly, paper sensor PCA	Internal assemblies (4 of 6) on page 397
RM1-5894-000CN	Assembly, output bin sensor PCA	Stapling mailbox assemblies (2 of 2) on page 421
RM1-5896-000CN	Assembly, bin solenoid	Stapling mailbox assemblies (2 of 2) on page 421
RM1-5913-000CN	Assembly, lifter base	Internal assemblies (1 of 6) on page 391
RM1-5913-000CN	Assembly, lifter base	1x500-sheet paper feeder components on page 405
RM1-5913-000CN	Assembly, lifter base	1x500-sheet paper feeder with cabinet components on page 409
RM1-5913-000CN	Assembly, lifter base	2,500-sheet paper feeder HCl components (2 of 2) on page 415
RM1-5914-000CN	Assembly, lifter	Internal assemblies (5 of 6) on page 399
RM1-5914-000CN	Assembly, lifter	1x500-sheet paper feeder components on page 405
RM1-5914-000CN	Assembly, lifter	1x500-sheet paper feeder with cabinet components on page 409
RM1-5914-000CN	Assembly, lifter	2,500-sheet paper feeder HCl components (2 of 2) on page 415
RM1-5919-000CN	Assembly, paper-pickup	Internal assemblies (4 of 6) on page 397
RM1-6663-000CN	Assembly, entrance solenoid	Stapling mailbox assemblies (1 of 2) on page 419
RM1-6664-000CN	Assembly, stamp solenoid	Stapling mailbox assemblies (1 of 2) on page 419
RM1-7437-010CN	Subassembly, stage top	Stapling mailbox assemblies (1 of 2) on page 419
RM2-0200-000CN	Assembly, front door	Covers (M651) on page 379
RM2-0200-000CN	Assembly, front door	Covers (M680) on page 381
RM2-0202-000CN	Cover, rear (M651)	Covers (M651) on page 379
RM2-0205-000CN	Cover, rear (M680)	Covers (M680) on page 381
RM2-0206-000CN	Assembly, intermediate cover	Covers (M680) on page 381
RM2-0208-000CN	Assembly, right door	Right door on page 383
RM2-0210-000CN	Assembly, right handle cover	Covers (M651) on page 379
RM2-0210-000CN	Assembly, right handle cover	Covers (M680) on page 381
RM2-0212-000CN	Assembly, cartridge fan (M651)	Internal assemblies (3 of 6) on page 395

Table 2-34 Numerical parts list (continued)

Part number	Description	Table and page
RM2-0213-000CN	Assembly, cartridge fan (M680)	Internal assemblies (3 of 6) on page 395
RM2-0214-000CN	Bin, standard output	Covers (M680) on page 381
RM2-0216-000CN	Assembly, intermediate paper feed	Internal assemblies (M680) on page 389
RM2-0219-000CN	Assembly, front inner cover upper	Internal assemblies (2 of 6) on page 393
RM2-0220-000CN	Assembly, inner connecting PCA (M680)	Internal assemblies (6 of 6) on page 401
RM2-0221-000CN	Assembly, inner connecting PCA (M651)	Internal assemblies (6 of 6) on page 401
RM2-0223-000CN	Assembly, paper-delivery (M651)	Internal assemblies (3 of 6) on page 395
RM2-0340-000CN	Tray	Internal assemblies (2 of 6) on page 393
RM2-0340-000CN	Tray	1x500-sheet paper feeder components on page 405
RM2-0340-000CN	Tray	1x500-sheet paper feeder with cabinet components on page 409
RM2-0340-000CN	Tray	2,500-sheet paper feeder HCI components (1 of 2) on page 413
RM2-0341-000CN	Assembly, paper-pickup (1x500-sheet paper feeder)	1x500-sheet paper feeder components on page 405
RM2-0341-000CN	Assembly, paper-pickup (1x500-sheet paper feeder with cabinet)	1x500-sheet paper feeder with cabinet components on page 409
RM2-0341-000CN	Assembly, paper-pickup (2,500-sheet paper feeder HCI)	2,500-sheet paper feeder HCI components (1 of 2) on page 413
RM2-0346-000CN	Assembly, lifter drive	2,500-sheet paper feeder HCI components (2 of 2) on page 415
RM2-0350-000CN	Assembly, tray size sensor	2,500-sheet paper feeder HCI components (2 of 2) on page 415
RM2-0351-000CN	Assembly, tray	2,500-sheet paper feeder HCI components (1 of 2) on page 413
RM2-0362-000CN	Assembly, right door (2,500-sheet paper feeder HCI)	2,500-sheet paper feeder HCI covers on page 411
RM2-0364-000CN	Assembly, front upper cover	1x500-sheet paper feeder covers on page 403
RM2-0364-000CN	Assembly, front upper cover	1x500-sheet paper feeder with cabinet covers on page 407
RM2-0364-000CN	Assembly, front upper cover	2,500-sheet paper feeder HCI covers on page 411

Table 2-34 Numerical parts list (continued)

Part number	Description	Table and page
RM2-0368-000CN	Assembly, right door (1x500-sheet paper feeder with cabinet)	1x500-sheet paper feeder with cabinet covers on page 407
RM2-0369-000CN	Assembly, stock box door	1x500-sheet paper feeder with cabinet covers on page 407
RM2-0371-000CN	Assembly, HCI PCA	2,500-sheet paper feeder HCI components (2 of 2) on page 415
RM2-0385-000CN	Assembly, paper-pickup drive	Internal assemblies (5 of 6) on page 399
RM2-0386-000CN	Assembly, main switch	Internal assemblies (3 of 6) on page 395
RM2-0392-000CN	Cover, front face-down	Covers (M651) on page 379
RM2-0393-000CN	Assembly, flexible flat cable	Internal assemblies (5 of 6) on page 399
RM2-0397-000CN	Sensor, residual toner full	Internal assemblies (2 of 6) on page 393
RM2-0399-000CN	Assembly, residual-toner transfer	Internal assemblies (2 of 6) on page 393
RM2-0402-000CN	Assembly, switch button	Covers (M651) on page 379
RM2-0402-000CN	Assembly, switch button	Covers (M680) on page 381
RM2-0460-000CN	Assembly, high-voltage power supply PCA, lower	Internal assemblies (6 of 6) on page 401
RM2-0462-000CN	Assembly, high-voltage power supply PCA, upper	Internal assemblies (6 of 6) on page 401
RM2-0464-000CN	Assembly, low-voltage power supply PCA 110-127V	Internal assemblies (6 of 6) on page 401
RM2-0466-000CN	Assembly, low-voltage power supply PCA 220-240V	Internal assemblies (6 of 6) on page 401
RM2-0474-000CN	Assembly, IPTU driver PCA	Internal assemblies (M680) on page 389
RM2-0498-000CN	Assembly, DC controller PCA	Internal assemblies (6 of 6) on page 401
RM2-0500-000CN	Assembly, rear pre-exposure	Internal assemblies (3 of 6) on page 395
RM2-0501-000CN	Assembly, feeder PCA	1x500-sheet paper feeder components on page 405
RM2-0501-000CN	Assembly, feeder PCA	1x500-sheet paper feeder with cabinet components on page 409
RM2-5235-000CN	Assembly, jogger	Stapling mailbox assemblies (2 of 2) on page 421
RM2-5237-000CN	Assembly, top door	Stapling mailbox covers on page 417

Table 2-34 Numerical parts list (continued)

Part number	Description	Table and page
RM2-5240-000CN	Assembly, output bin	Stapling mailbox covers on page 417
RM2-5241-000CN	Assembly, output bin 3	Stapling mailbox assemblies (2 of 2) on page 421
RM2-5245-000CN	Assembly, output bin 3 driver PCA	Stapling mailbox assemblies (2 of 2) on page 421
RM2-5771-000CN	Assembly, scissors hinge, right	Internal assemblies (M680) on page 389
WC2-5637-000CN	Switch, push	Internal assemblies (2 of 6) on page 393
WC2-5637-000CN	Switch, push	Internal assemblies (6 of 6) on page 401
WC2-5637-000CN	Switch, push	2,500-sheet paper feeder HCl components (2 of 2) on page 415
WC4-5303-000CN	Switch	Internal assemblies (2 of 6) on page 393
WG8-5935-000CN	Photointerrupter	Internal assemblies (M651) on page 387
WG8-5935-000CN	Photointerrupter	Internal assemblies (2 of 6) on page 393
WG8-5935-000CN	Photointerrupter	Internal assemblies (3 of 6) on page 395
WG8-5935-000CN	Photointerrupter	Stapling mailbox assemblies (1 of 2) on page 419
XA9-1671-000CN	Screw, D, M3x8	Covers (M651) on page 379
XA9-1671-000CN	Screw, stepped	Covers (M651) on page 379
XA9-1671-000CN	Screw, D, M3x8	Covers (M680) on page 381
XA9-1671-000CN	Screw, stepped	Covers (M680) on page 381